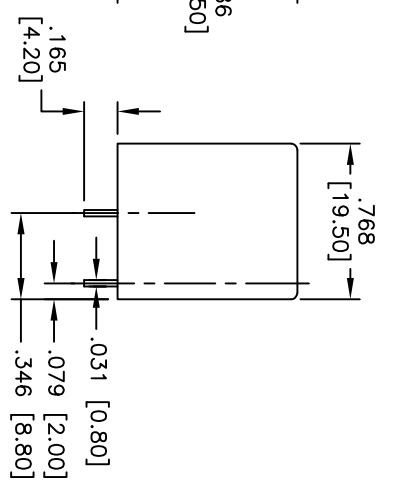
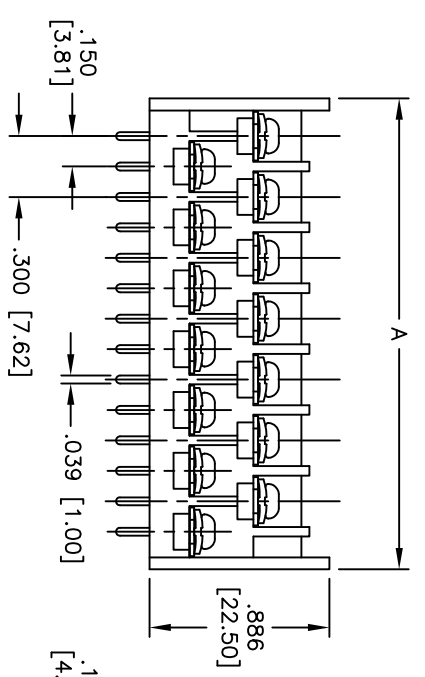
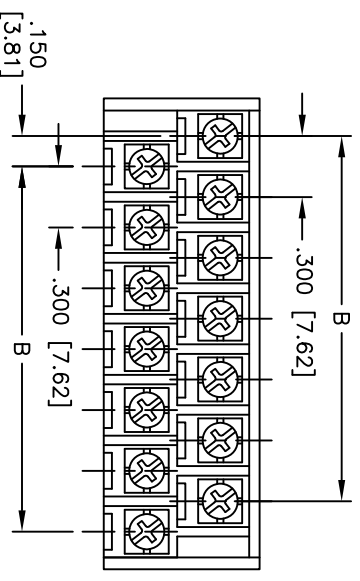


Rev	AWO #	Description	Date	Appr
-		RELEASED	6/14/10	

APPROVED: _____
 DATE: _____ TITLE: _____



A = .300 [7.62] x No. of Poles + .217 [5.50]
 B = .300 [7.62] x No. of Spaces

SPECIFICATIONS:

- Material: Insulator: Polyamide, rated UL 94V-0
- Insulator color: Black
- Screw: M3, Steel, Nickel plated
- Contact: Brass, Tin plated
- Electrical: Rating: 15 Amp, 250V
- Insulation resistance: 1000 Mohms min @ DC500V
- Insulation withstands voltage: AC2000V/min
- Mechanical: Wire range: 22 - 16 AWG
- Temperature Rating: Operating temperature: -40°C to +110°C
- Environmental: Lead free, RoHS compliant
- Recommended soldering temp: 235°C for 5 seconds



UNLESS OTHERWISE SPECIFIED ALL DIMENSIONS ARE INCHES [MM]	
TOLERANCES: EXCEPT AS NOTED	
INCHES	HOLES
.X ± .10	ØX ± .10
.XX ± .020	ØXXX ± .015
.XXX ± .015	ØXXX ± .010
APPROVALS	DATE
DRAWN	DATE
CHECKED	
APPROVED	

ADAM TECH
 909 Rahway Avenue, Union, NJ 07083
 Phone: 908-687-5000 Fax: 908-687-5710

TITLE: .300 [7.62] CENTERLINE BARRIER BLOCK,
 PCB TAILS, BARRIER ENDS

SIZE	PART NO.	REV.
X	TBS-XX-01-B-ZINC-HW	-
REF: S00035T	SCALE: NTS	SHEET 1 OF 1