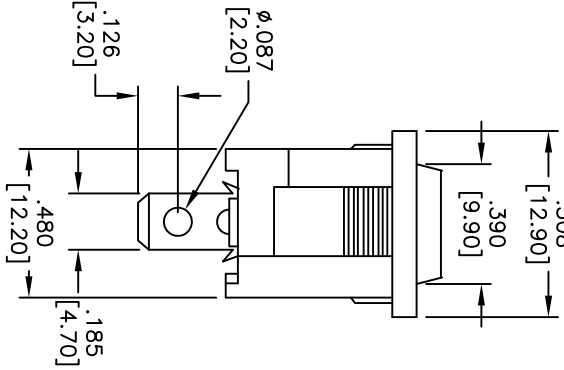
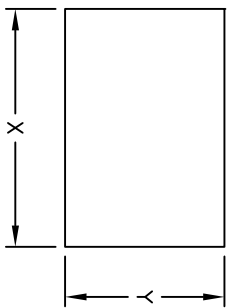
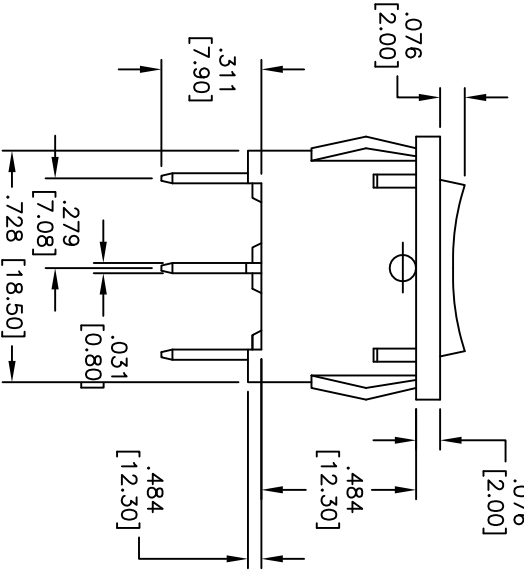
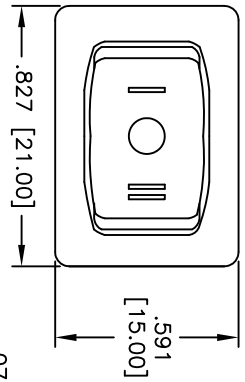
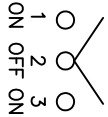


Rev	AWO #	Description	Date	Appr
-		RELEASED	7/14/11	

APPROVED: _____
 DATE: _____ TITLE: _____



PANEL THICKNESS	Dim. X (mm)	Dim. Y (mm)
0.75~1.25	19.2/19.1	13.0/12.9
1.25~2.0	19.4/19.3	13.0/12.9
2.0~3.0	19.8/19.7	13.0/12.9



SCHEMATIC

MOUNTING HOLE

SPECIFICATIONS:

Electrical:
 Contact rating: 5A250VAC 10A125VAC
 Contact resistance: 50 mohms max. initial
 Insulation resistance: 500 Mohms min @ 500 VDC
 Dielectric withstanding voltage: 2000 VAC for 1 minute
 Environmental:
 Lead free, RoHS compliant



UNLESS OTHERWISE SPECIFIED
 ALL DIMENSIONS ARE INCHES [MM]
 TOLERANCES: EXCEPT AS NOTED
 INCHES Holes ±.10
 .XX ±.020 ØXX ±.015
 .XXX ±.015 ØXXX ±.010
 APPROVALS DATE

DRAWN	DY	7/14/11
CHECKED		
APPROVED		

ADAM TECH
 909 Railway Avenue, Union, NJ 07083
 Phone: 908-687-5000 Fax: 908-687-5710

SWITCH

SIZE	PART NO.	REV.
X	SW-R-1P2T-V-PS	-
REF:	SCALE:	SHEET 1 OF 1
S00141T	NIS	