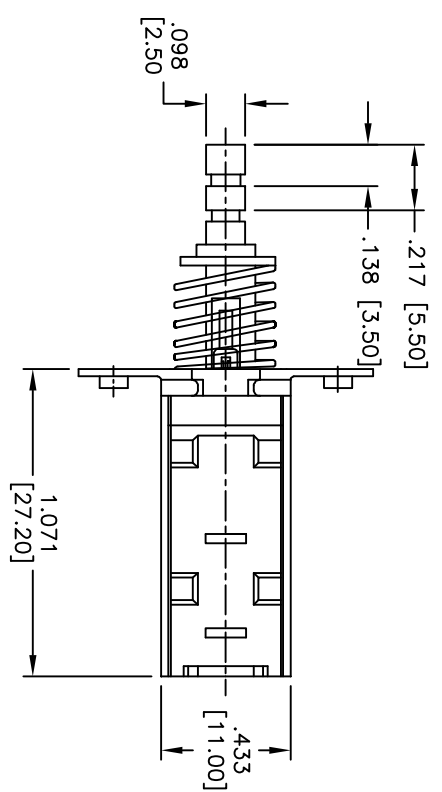
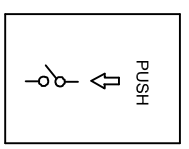
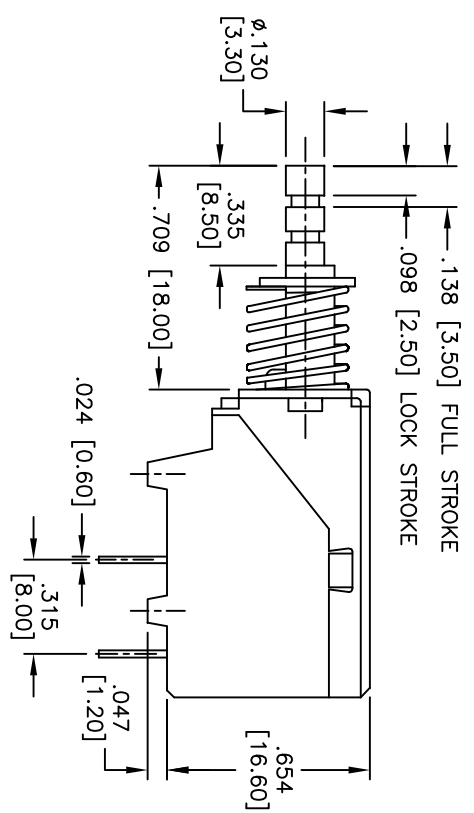
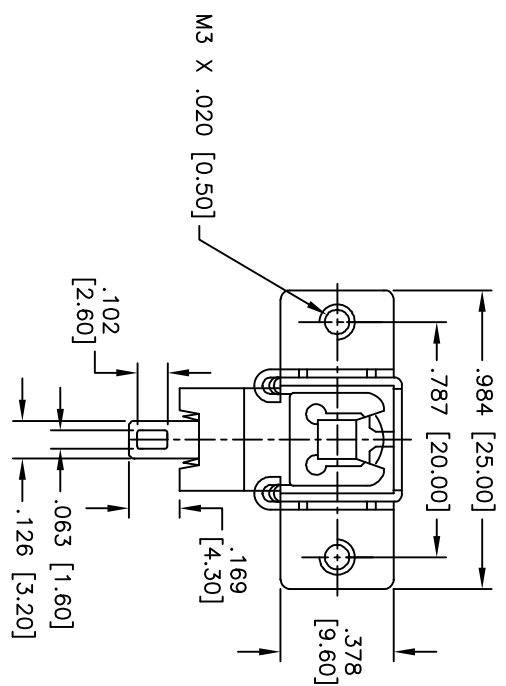


Rev	AWO #	Description	Date	Appr
-		RELEASED	9/16/10	

APPROVED: _____
 DATE: _____ TITLE: _____



SPECIFICATIONS:

Material: PBT, rated UL 94V-0
 Insulator: Silver alloy
 Electrical:
 Current rating: 8A/128A
 Operating voltage: 250 VAC max
 Contact resistance: 50 mohms max. initial
 Insulation resistance: 500 Mohms min @ 500 VAC
 Dielectric withstanding voltage: 2000 VAC for 1 minute
 Temperature Rating:
 Operating temperature: -25°C to +65°C
 Environmental:
 Lead free, RoHS compliant
 Recommended soldering temp: 235°C for 5 seconds



UNLESS OTHERWISE SPECIFIED ALL DIMENSIONS ARE INCHES [MM]	
TOLERANCES: EXCEPT AS NOTED	
INCHES	
.X ± .10	ØX ± .10
.XX ± .020	ØXX ± .015
.XXX ± .015	ØXXX ± .010
APPROVALS	DATE
DRAWN AY	9/16/10
CHECKED JL	9/16/10
APPROVED	

ADAM TECH
 909 Railway Avenue, Union, NJ 07083
 Phone: 908-687-5000 Fax: 908-687-5710

TITLE: **PUSH SWITCH, RIGHT ANGLE**

SIZE	PART NO.	REV.
X	SW-P-1P-RA-S-5A/80A-250	-
REF: S00108T	SCALE: NTS	SHEET 1 OF 1