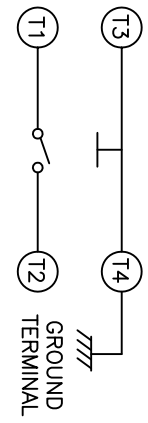


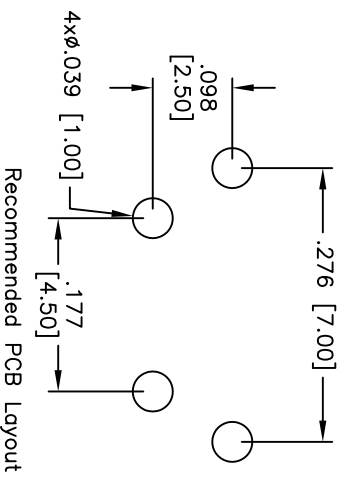
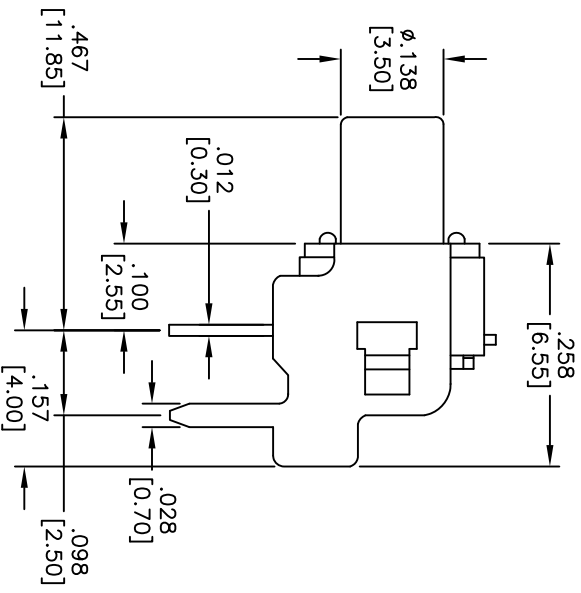
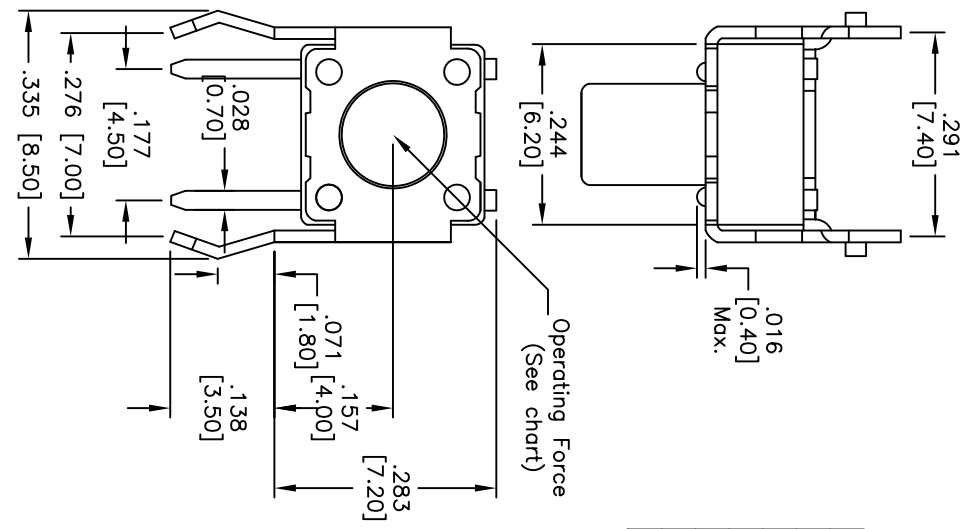
Rev	AWO #	Description	Date	Appr
-		RELEASED	8/02/10	

APPROVED: _____
 DATE: _____ TITLE: _____

ADAM P/N	Color	Operating Force
SW-C-RA-H1185-B	BLACK	100g
SW-C-RA-H1185-BR	BROWN	160g
SW-C-RA-H1185-R	RED	260g
SW-C-RA-H1185-S	SALMON	320g
SW-C-RA-H1185-Y	YELLOW	520g
SW-C-RA-H1185-W	WHITE	100g



CIRCUIT DIAGRAM



Recommended PCB Layout

SPECIFICATIONS:

Material: Steel, Tin plated
 Cover: Thermoplastic Nylon, rated UL 94V-0
 Contact: Phosphor Bronze, Silver cladding.
 Terminal: Boss, Silver plated
 Base: Thermoplastic Nylon, rated UL 94V-0, molded Black
 Cap: Thermoplastic ABS

Electrical:

Current rating: 50 mA @ 12VDC
 Contact resistance: 100 mohms max
 Insulation resistance: 100 Mohms min
 Dielectric withstanding voltage: 250 VAC for 1 minute
 Temperature Rating: -25°C to +70°C
 Environmental:
 Lead free, RoHS compliant
 Recommended soldering temp: 235°C for 5 seconds



UNLESS OTHERWISE SPECIFIED ALL DIMENSIONS ARE IN INCHES [MM]	
TOLERANCES: EXCEPT AS NOTED	
INCHES	HOLDS
.X ± .10	ØX ± .10
.XX ± .020	ØXX ± .015
.XXX ± .015	ØXXX ± .010
APPROVALS	DATE
DRAWN	DY
CHECKED	
APPROVED	

ADAM TECH
 909 Rahway Avenue, Union, NJ 07083
 Phone: 908-687-5000 Fax: 908-687-5710

TACTILE SWITCH R/A
 MECHANICAL CONTACT TYPE

SIZE PART NO. REV.
 X SW-C-RA-H1185-X -

REF: S0012T SCALE: NTS SHEET 1 OF 1