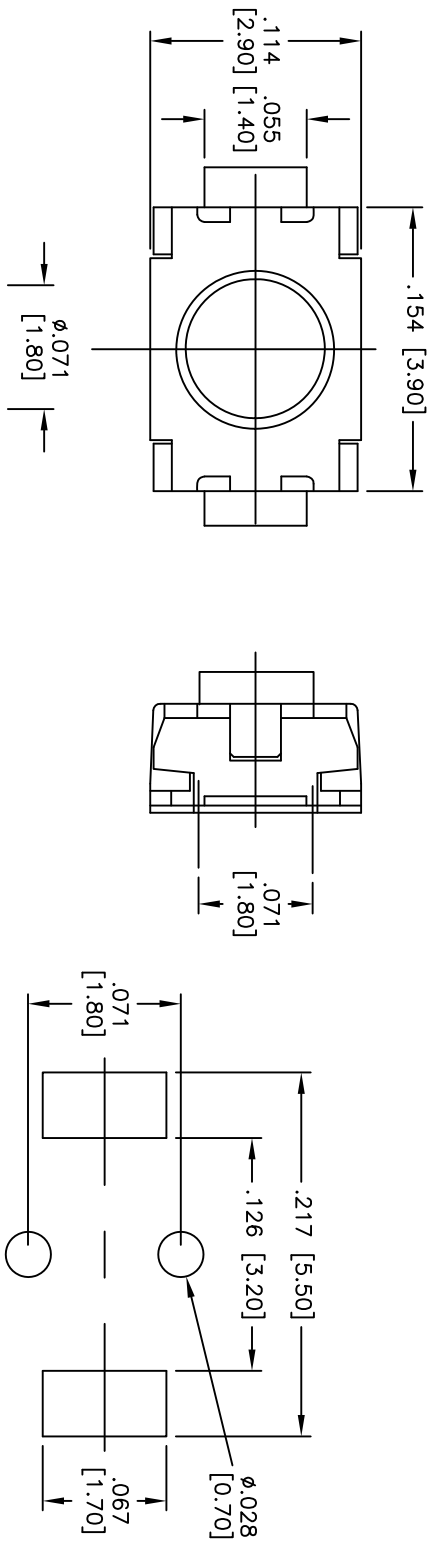
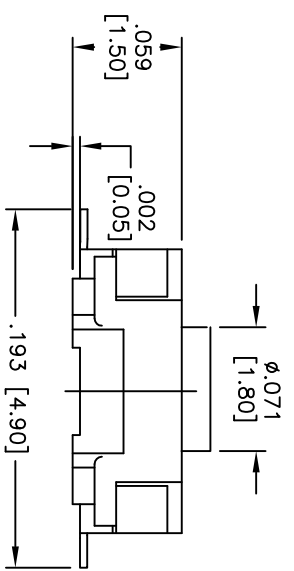


Rev	AWO #	Description	Date	Appr
-	11116	RELEASED	2/23/11	

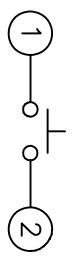
APPROVED: _____
 DATE: _____ TITLE: _____



PRINTED CIRCUIT BOARD MOUNTING
 LAND DIMENSIONS



CIRCUIT DIAGRAM



SPECIFICATIONS:

Material: Insulator: Hi-temp thermoplastic, rated UL 94V-0
 Contacts: Copper Alloy
 Electrical: Operation voltage: DC 12V
 Current rating: 50A
 Resistance: 100 mohms max.
 Operating force: 160±50gf
 Life: 100,000 cycles
 Travel: 0.13±0.1mm
 Environmental: Lead free, RoHS compliant
 Recommended soldering temp: 260°C for 5 seconds



ADAM TECH

909 Rahway Avenue, Union, NJ 07083
 Phone: 908-687-5000 Fax: 908-687-5710

TITLE: TACTILE SWITCH, SMT TYPE, NO EMBOSSING

UNLESS OTHERWISE SPECIFIED ALL DIMENSIONS ARE INCHES [MM]		TOLERANCES: EXCEPT AS NOTED	
INCHES		HOLES	
.X	± .10	ØX	± .10
.XX	± .020	ØXXX	± .015
.XXX	± .015	ØXXXX	± .010
APPROVALS		DATE	
DRAWN	DY	2/23/11	
CHECKED			
APPROVED			
SIZE	PART NO.	REV.	
X	SW-C-1P1T-VT-SMT-A11116	-	
REF:	S00181T	SCALE:	NTS
SHEET 1 OF 1		SHEET 1 OF 1	