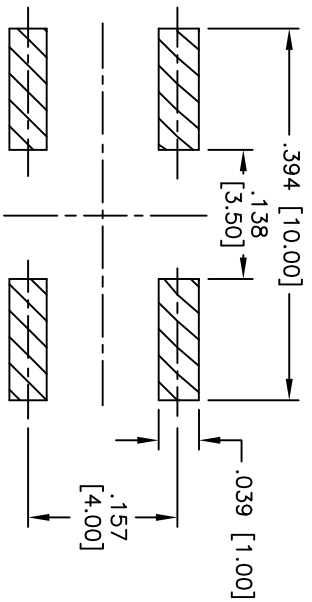
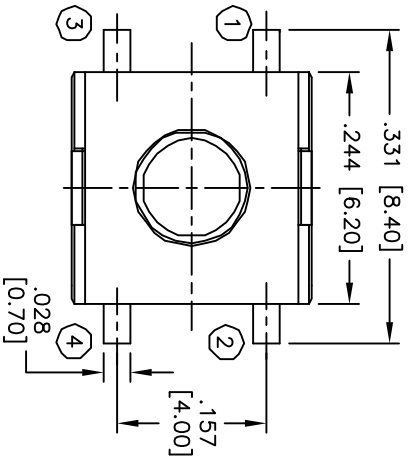
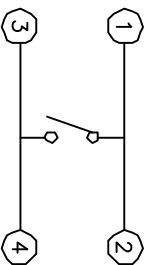
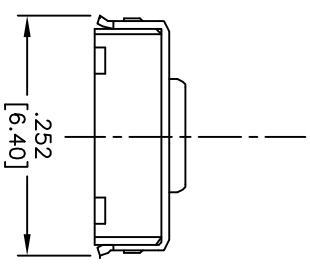
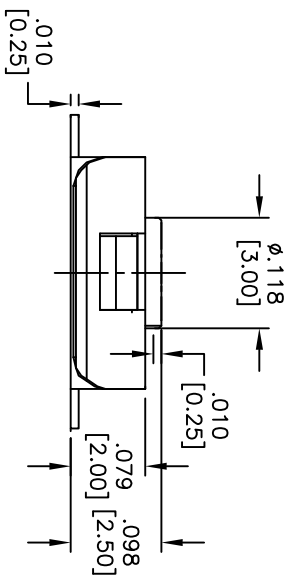


Rev	AWO #	Description	Date	Appr
-		RELEASED	9/16/10	

APPROVED: _____
 DATE: _____ TITLE: _____



RECOMMENDED PCB LAYOUT



SCHEMATIC

SPECIFICATIONS:

- Material: Nylon 6T, rated UL 94V-0
- Insulator: Copper Alloy
- Electrical:
 - Operation voltage: DC 12V
 - Current rating: 50A
 - Contact resistance: 100 mohms max. initial
 - Contact resistance: 100 Mohms min @ 250 VDC
 - Dielectric withstanding voltage: 250 VAC for 1 minute
- Temperature Rating:
 - Operating temperature: -20°C to +70°C
- Environmental:
 - Lead free, RoHS compliant
 - Recommended soldering temp: 260°C for 5 seconds



UNLESS OTHERWISE SPECIFIED
 ALL DIMENSIONS ARE INCHES [MM]
 TOLERANCES: EXCEPT AS NOTED
 INCHES HOLEES

.X	± .10	ØXX	± .10
.XX	± .020	ØXXX	± .015
.XXX	± .015	ØXXXX	± .010

APPROVALS: _____ DATE: _____

DRAWN: DY 9/16/10
 CHECKED: _____
 APPROVED: _____

ADAM TECH
 909 Rahway Avenue, Union, NJ 07083
 Phone: 908-687-5000 Fax: 908-687-5710

TITLE: TACTILE SWITCH, SMT TYPE, HEIGHT 2.5MM

SIZE: X PART NO.: SW-C-1P1T-VT-SMT-2.5-04
 REF: S00108T SCALE: NTS SHEET 1 OF 1