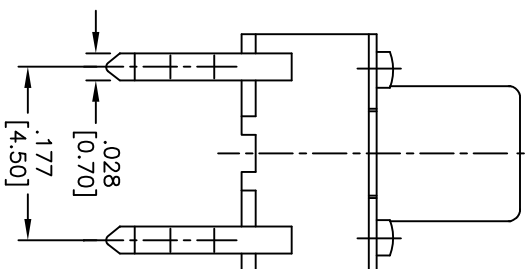
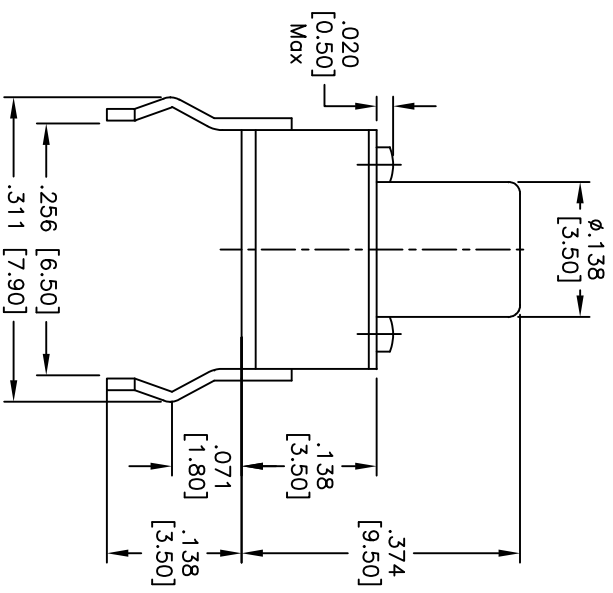
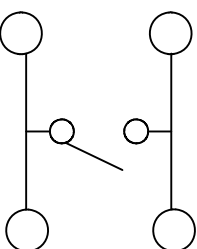
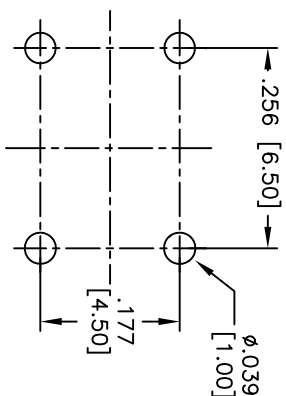
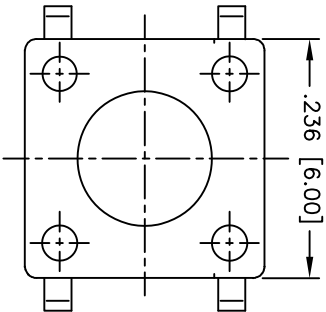


Rev	AWO #	Description	Date	Appr
-		RELEASED	2/24/11	

APPROVED: _____
 DATE: _____ TITLE: _____



SPECIFICATIONS:

Material: Insulator: PA66, rated UL 94V-0
 Contacts: Copper Alloy
 Electrical: Operation voltage: DC 12V
 Current rating: 50A
 Contact resistance: 50 mohms max. initial
 Insulation resistance: 100 Mohms min @ 250 VDC
 Temperature Rating: Operating temperature: -20°C to +70°C
 Environmental: Lead free, RoHS compliant
 Recommended soldering temp: 235°C for 5 seconds



ADAM TECH

909 Railway Avenue, Union, NJ 07083
 Phone: 908-687-5000 Fax: 908-687-5710

TITLE: TACTILE SWITCH, DIP TYPE, HEIGHT 9.5MM

UNLESS OTHERWISE SPECIFIED ALL DIMENSIONS ARE INCHES [MM]	
TOLERANCES: EXCEPT AS NOTED	
INCHES	HOLES
.X ± .10	± .10
.XX ± .020	± .015
.XXX ± .015	± .010
APPROVALS	DATE
DRAWN AY	2/24/11
CHECKED SC	2/24/11
APPROVED	

SIZE	PART NO.	REV.
X	SW-C-1P1T-VT-9.5-01	-
REF: S00181T	SCALE: NTS	SHEET 1 OF 1