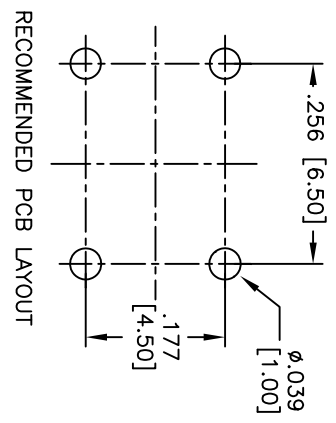
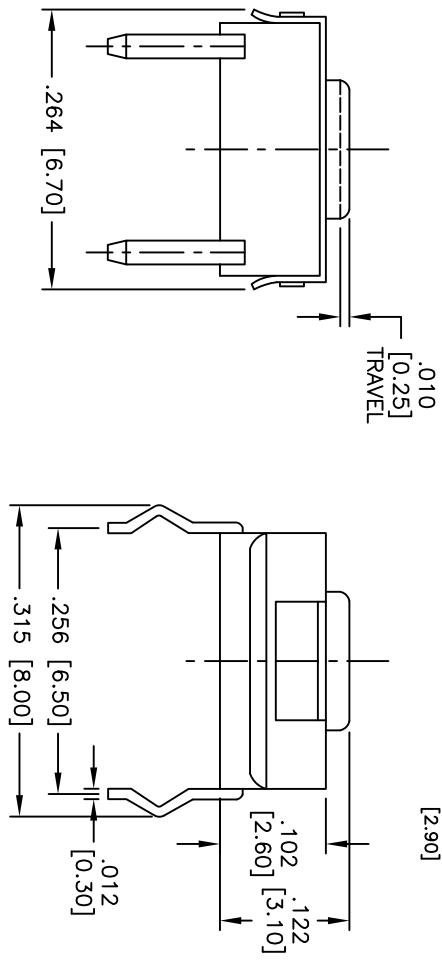
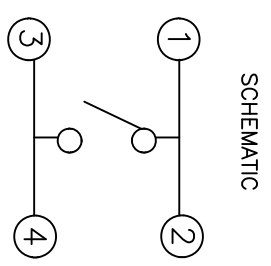
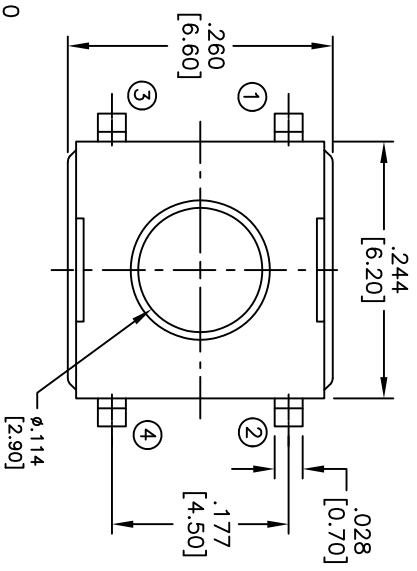


Rev	AWO #	Description	Date	Appr
-		RELEASED	10/13/10	

APPROVED: \_\_\_\_\_  
 DATE: \_\_\_\_\_ TITLE: \_\_\_\_\_



**SPECIFICATIONS:**

- Material: Insulator: PA66, rated UL 94V-0
- Insulator color: Black
- Contacts: Copper Alloy, Silver plated
- Electrical: Operation voltage: DC 12V
- Current rating: 50mA
- Contact resistance: 100 mohms max. initial
- Insulation resistance: 100 Mohms min @ 250 VDC
- Dielectric withstanding voltage: 250 VAC for 1 minute
- Temperature Rating: Operating temperature: -25°C to +75°C
- Environmental: Lead free, RoHS compliant
- Recommended soldering temp: 235°C for 5 seconds



UNLESS OTHERWISE SPECIFIED ALL DIMENSIONS ARE INCHES [MM]	
TOLERANCES: EXCEPT AS NOTED	
INCHES	HOLDS
.X ± .10	ØXX ± .10
.XX ± .020	ØXXX ± .015
.XXX ± .015	ØXXXX ± .010
APPROVALS	DATE
DRAWN AY	10/13/10
CHECKED JL	10/13/10
APPROVED	

**ADAM TECH**  
 909 Railway Avenue, Union, NJ 07083  
 Phone: 908-687-5000 Fax: 908-687-5710

TITLE	TACTILE SWITCH, DIP TYPE, HEIGHT 3.10MM
SIZE	PART NO. SW-C-1P1T-VT-3.10-02
REF: S00108T	SCALE: NTS
SHEET 1 OF 1	REV.