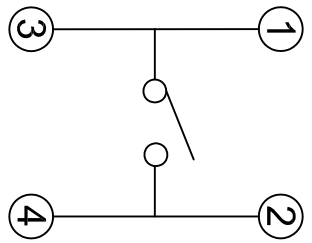
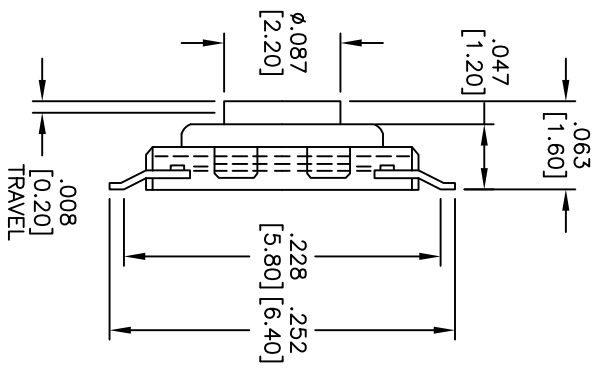
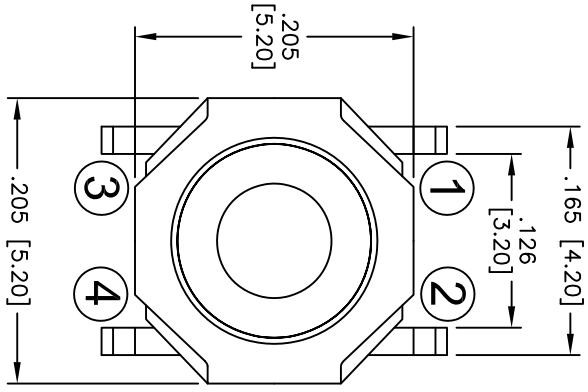
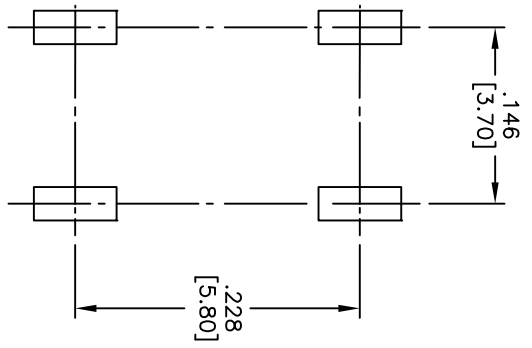


Rev	AWO #	Description	Date	Appr
-		RELEASED	10/7/10	

APPROVED: _____
 DATE: _____ TITLE: _____



CIRCUIT DIAGRAM



RECOMMENDED PCB LAYOUT

OPERATING FORCE	CODE
160±30gf	A
250±50gf	B

SPECIFICATIONS:

Material: PA6T, glass reinforced, rated UL 94V-0 Color: Black

Contacts: Stainless steel, Silver plated

Cover: Stainless steel, Color: Natural

Knob: Brass, Color: Natural

Seal plate: PET, Color: Yellow

Terminal: Phosphor Bronze, Silver plated

Electrical:

Operation voltage: DC 12V max

Current rating: 50mA

Contact resistance: 100 mohms max

Insulation resistance: 100 Mohms min @ 250 VDC

Dielectric withstanding voltage: 250 VAC for 1 minute

Operating force: 160 ±50 gf

Temperature Rating:

Operating temperature: -20°C to +70°C

Environmental:

Lead free, RoHS compliant

Recommended soldering temp: 260°C for 5 seconds



UNLESS OTHERWISE SPECIFIED
 ALL DIMENSIONS ARE INCHES [MM]
 TOLERANCES: EXCEPT AS NOTED
 INCHES HOLEES
 .X ±.10 ØXX ±.10
 .XX ±.020 ØXXX ±.015
 .XXX ±.015 ØXXXX ±.010

APPROVALS	DATE
DRAWN AY	10/7/10
CHECKED JL	10/7/10
APPROVED	

ADAM TECH
 909 Rahway Avenue, Union, NJ 07083
 Phone: 908-687-5000 Fax: 908-687-5710

TITILE
TACTILE SWITCH, SMT TYPE, HEIGHT 1.60MM

SIZE X	PART NO. SW-C-1P1T-VG-SMT-1.6-07-MK-X	REV. -
REF: SMT12T	SCALE: NTS	SHEET 1 OF 1