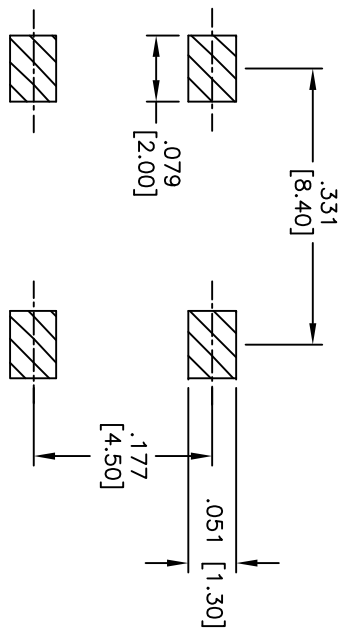
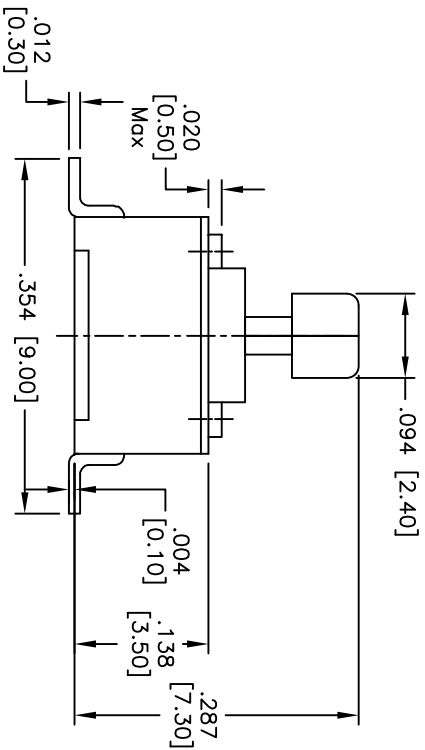
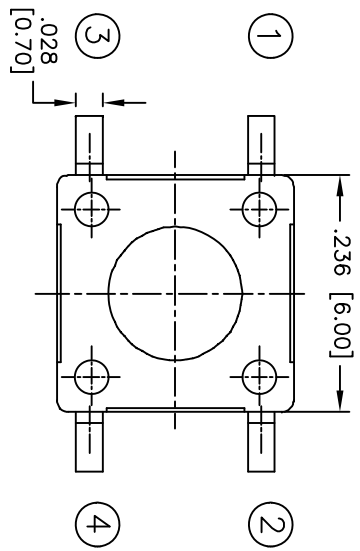
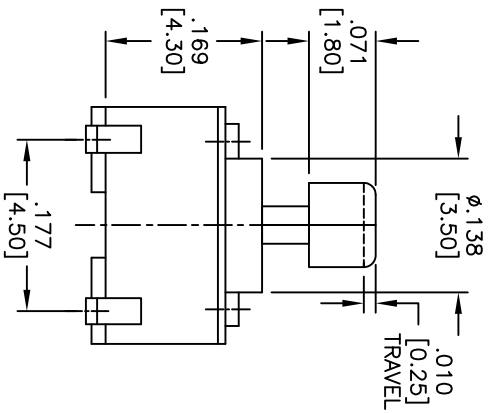


Rev	AWO #	Description	Date	Appr
-		RELEASED	9/20/10	

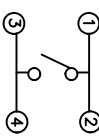
APPROVED: \_\_\_\_\_  
 DATE: \_\_\_\_\_ TITLE: \_\_\_\_\_



RECOMMENDED PCB LAYOUT



SCHEMATIC



**SPECIFICATIONS:**

Material: Nylon 6T, rated UL 94V-0  
 Insulator: Copper Alloy  
 Electrical: Copper Alloy  
 Operation voltage: DC 12V  
 Current rating: 50A  
 Contact resistance: 100 mohms max. initial  
 Insulation resistance: 100 Mohms min @ 250 VDC  
 Dielectric withstanding voltage: 250 VAC for 1 minute  
 Temperature Rating:  
 Operating temperature: -20°C to +70°C  
 Environmental:  
 Lead free, RoHS compliant  
 Recommended soldering temp: 260°C for 5 seconds



**ADAM TECH**

909 Railway Avenue, Union, NJ 07083  
 Phone: 908-687-5000 Fax: 908-687-5710

TACT SWITCHES, SMT TYPE, HEIGHT 7.3MM

UNLESS OTHERWISE SPECIFIED ALL DIMENSIONS ARE INCHES [MM] TOLERANCES: EXCEPT AS NOTED		HOLE SIZES		DATE	
.X	± .10	ØX	± .10		
.XX	± .020	ØXXX	± .015		
.XXX	± .015	ØXXXX	± .010		
APPROVALS		DATE		TITLE	
DRAWN	AY	9/20/10		TACT SWITCHES, SMT TYPE, HEIGHT 7.3MM	
CHECKED	VW	9/20/10		PART NO. SW-C-1P1C-VT-SMT-7.3-06	
APPROVED				SIZE X REF: S00108T SCALE: NTS SHEET 1 OF 1	