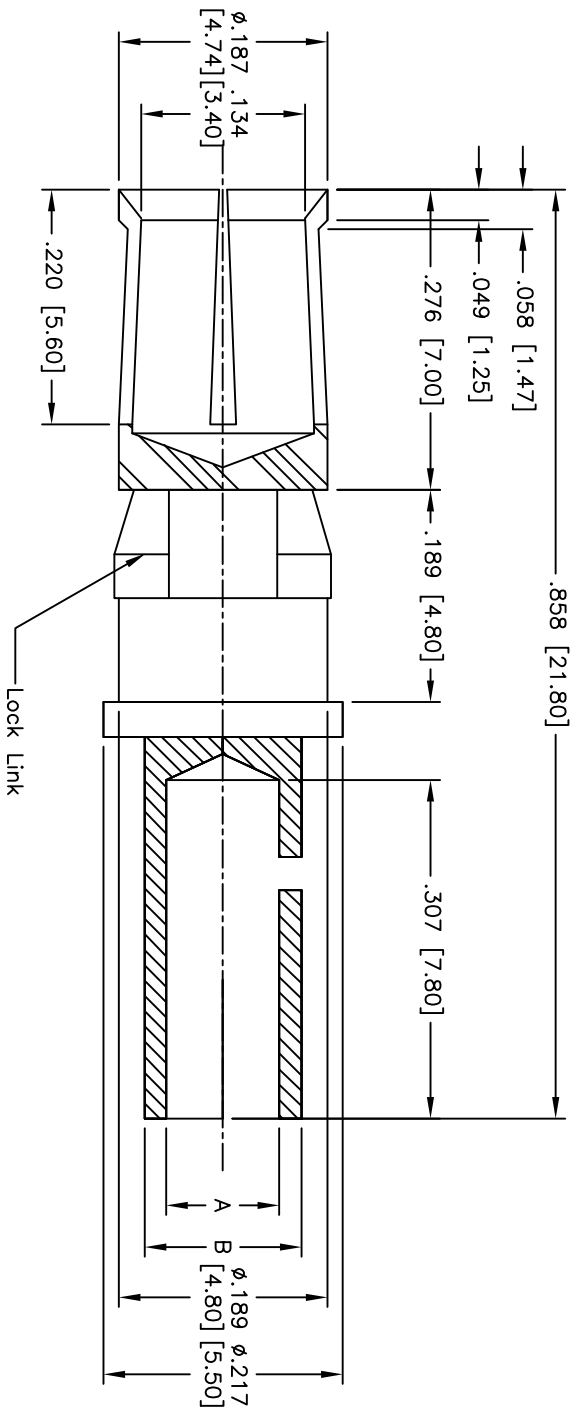


Rev	AWO #	Description	Date	Appr
-	10199	RELEASED	5/11/10	

APPROVED: _____
 DATE: _____ TITLE: _____



ADAM P/N	Current Rating	Wire size	Dimension
			ØA ØB
SRP-40A-G	40 Amps	AWG #8	Ø.181 [4.60] Ø.217 [5.50]
SRP-30A-G	30 Amps	AWG #10	Ø.146 [3.70] Ø.181 [4.60]
SRP-20A-G	20 Amps	AWG #12	Ø.106 [2.70] Ø.142 [3.60]
SRP-10A-G	10 Amps	AWG #16	Ø.067 [1.70] Ø.098 [2.50]

SPECIFICATIONS:
 Material:
 Body: Brass, gold flash plated
 Lock Link: Brass, Nickel plated
 Environmental:
 Lead free, RoHS compliant



UNLESS OTHERWISE SPECIFIED
 ALL DIMENSIONS ARE INCHES [MM]
 TOLERANCES: EXCEPT AS NOTED
 INCHES HOLES
 .X ±.10 Ø.XX ±.10
 .XX ±.020 Ø.XXX ±.015
 .XXX ±.015 Ø.XXXX ±.010

ADAM TECH
 909 Ratway Avenue, Union, NJ 07083
 Phone: 908-687-5000 Fax: 908-687-5710

APPROVALS	DATE	TITLE
DRAWN	DY	5/11/10
CHECKED		
APPROVED		

POWER SOCKET, STRAIGHT CRIMP CUP TYPE
 SIZE PART NO. SRP-XXA-G
 REF: S00M9T SCALE: NTS SHEET 1 OF 1

6 5 4 3 2 1