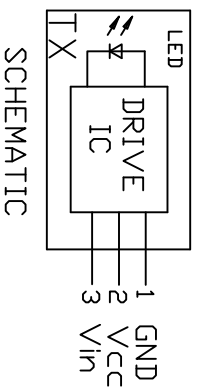
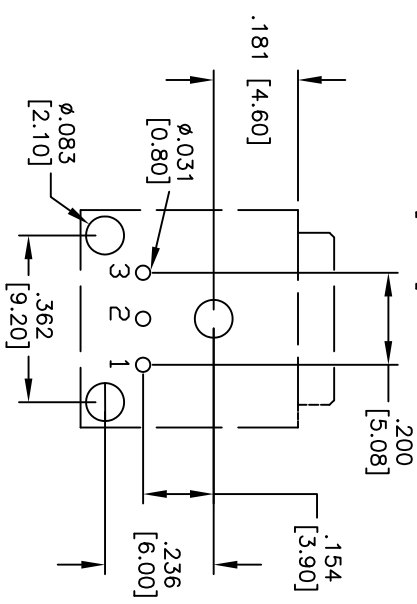
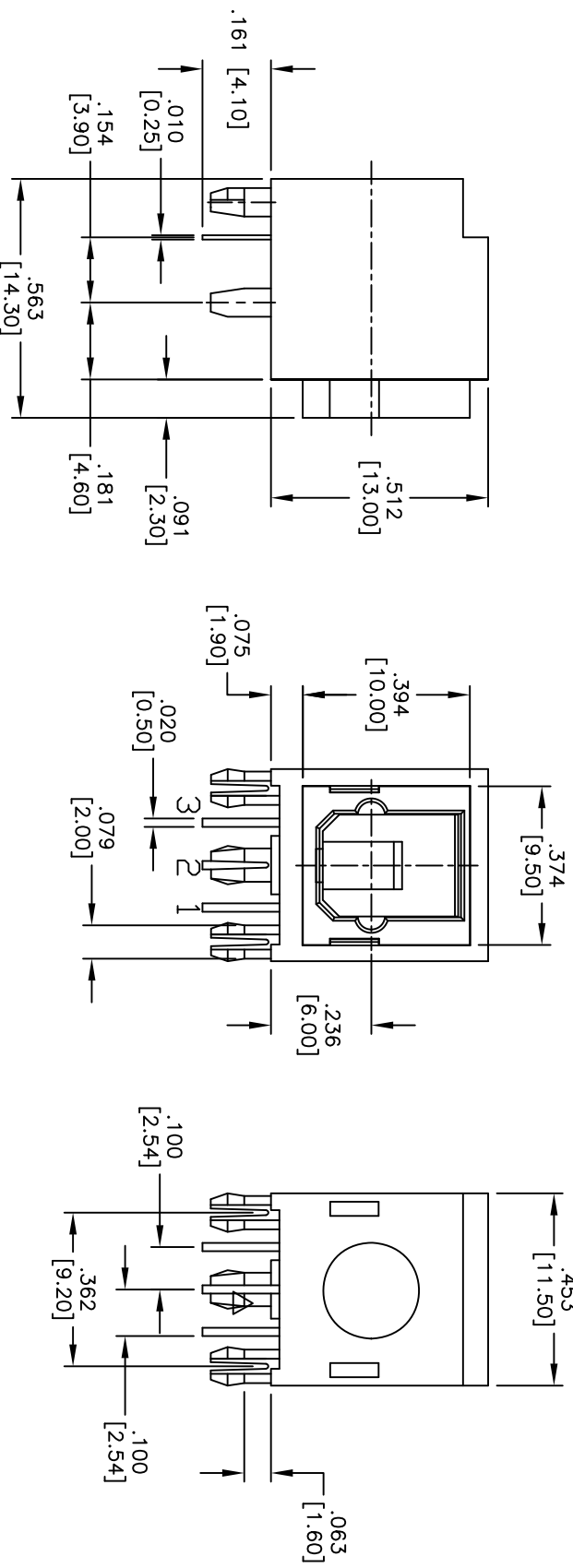


Rev	AWO #	Description	Date	Appr
-		RELEASED	10/04/10	

APPROVED: _____
 DATE: _____ TITLE: _____



RECOMMENDED PCB LAYOUT
(BOTTOM VIEW)

SPECIFICATIONS:

Material: Insulator: PBT, glass reinforced, rated UL94V-0
 Contact: Brass
 Environmental: Lead free, RoHS compliant

UNLESS OTHERWISE SPECIFIED
 ALL DIMENSIONS ARE INCHES [MM]
 TOLERANCES: EXCEPT AS NOTED

.X	± .10	ØXX	± .10
.XX	± .020	ØXXX	± .015
.XXX	± .015	ØXXXX	± .010

INCHES HOLE SIZES

ADAM TECH
 909 Railway Avenue, Union, NJ 07083
 Phone: 908-687-5000 Fax: 908-687-5710

DRAWN	DY	DATE	10/04/10
CHECKED			
APPROVED			

SIZE	PART NO.	SPDF-RALED	REV.
X			
REF: S0070T	SCALE: NTS	SHEET 1 OF 1	

6 5 4 3 2 1