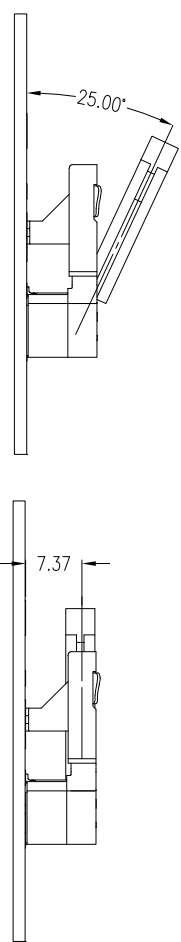
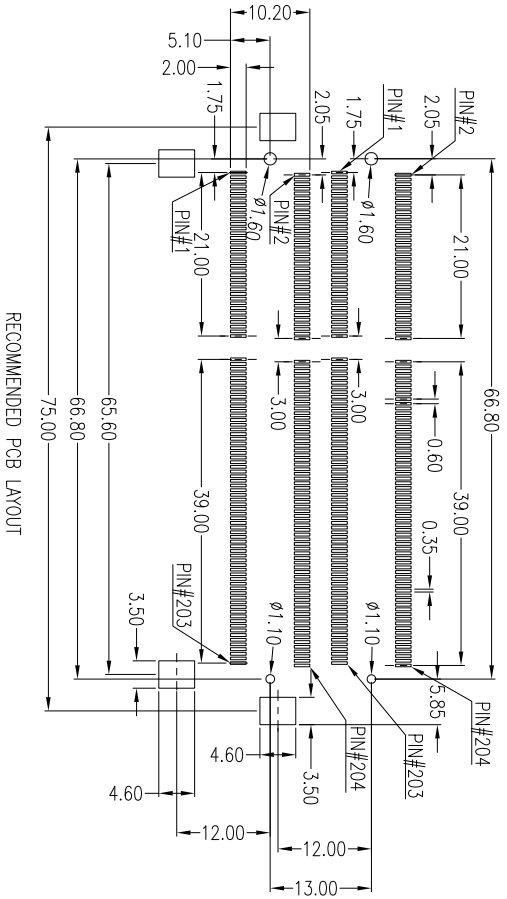
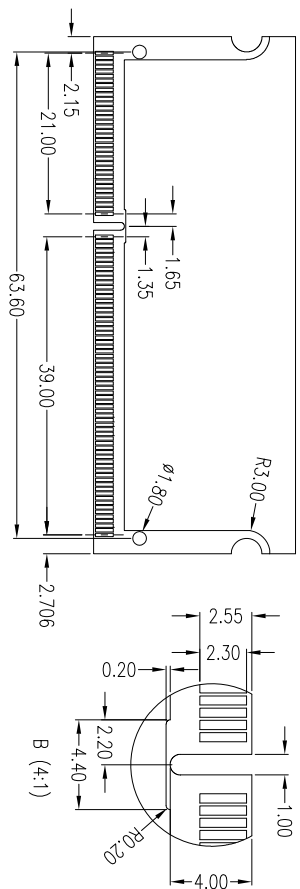
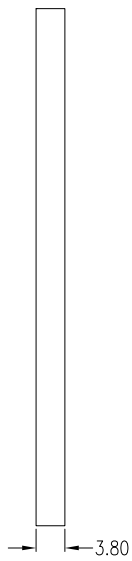
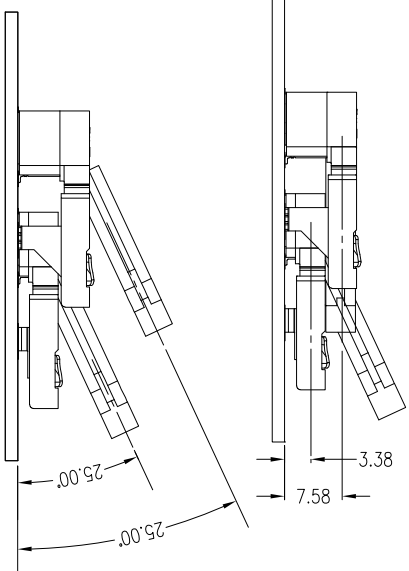
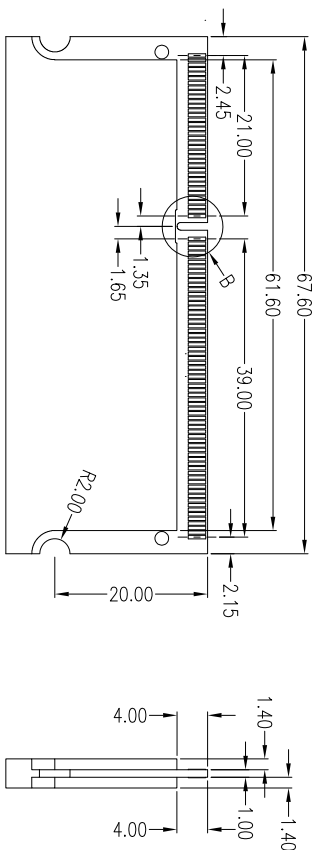


APPROVED: _____

DATE: _____ TITLE: _____

Rev	AWO #	Description	Date	Appr
		SEE SHT 1 OF 2 FOR REVISION		



RECOMMENDED PCB LAYOUT

ADAM TECH

909 Railway Avenue, Union, NJ 07083
 Phone: 908-687-5000 Fax: 908-687-5710

TITLE: SO DIMM SOCKET, 204 PIN, SMT
 1.5V DRAM, 9.2MM HEIGHT, REVERSE

UNLESS OTHERWISE SPECIFIED ALL DIMENSIONS ARE IN MM TOLERANCES: EXCEPT AS NOTED		SIZE	
INCHES		PART NO.	
.X ± .10	ØXX ± .10	X	SOD-204-S-4.9-2-R
.XX ± .020	ØXXX ± .015		
.XXX ± .015	ØXXXX ± .010		
APPROVALS	DATE	SCALE: NTS	SHEET 2 OF 2
DRAWN DY	11/18/10		
CHECKED			
APPROVED			