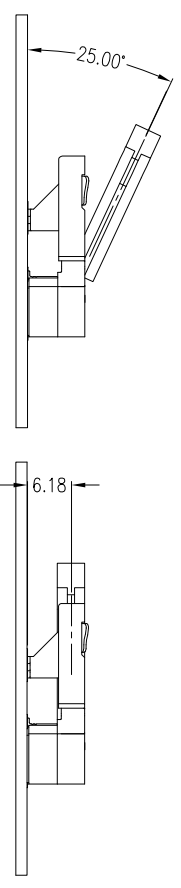
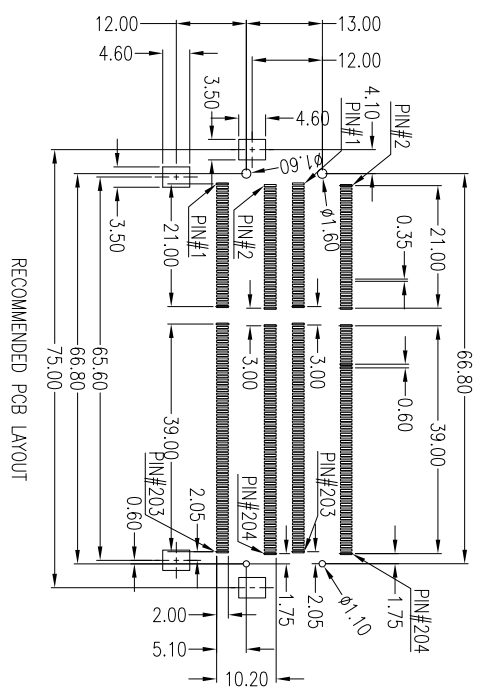
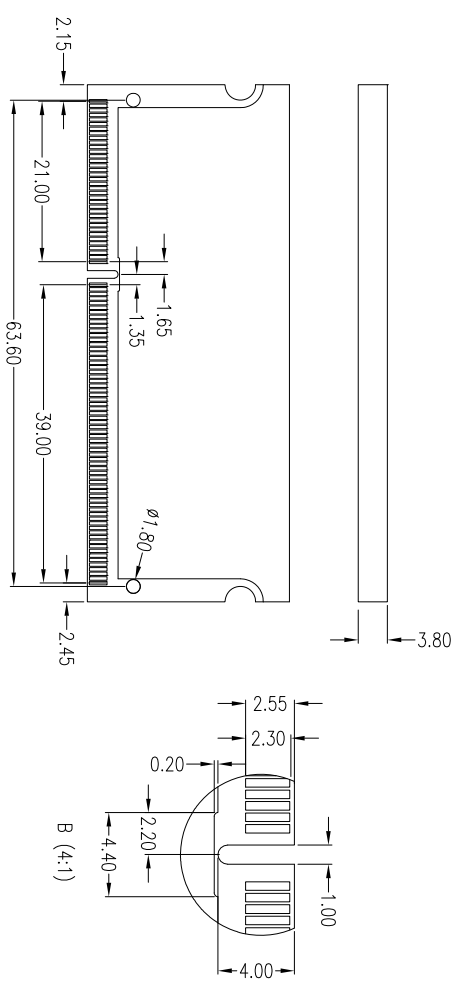
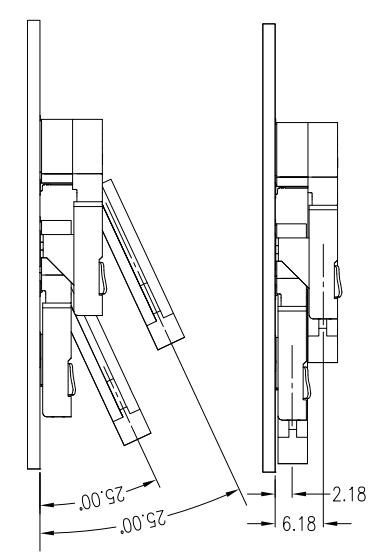
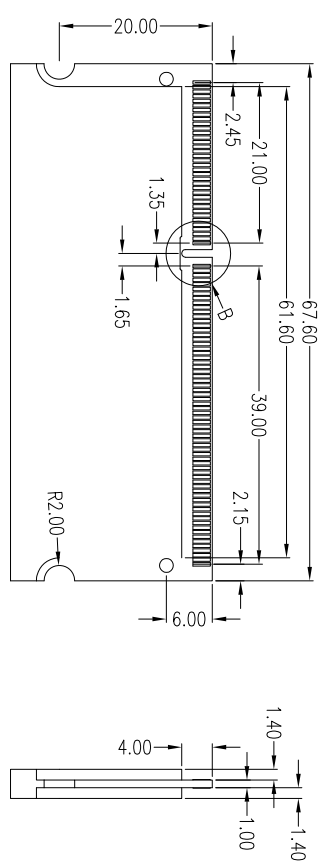


APPROVED: _____
 DATE: _____ TITLE: _____

Rev	AWO #	Description	Date	Appr
		SEE SHT 1 OF 2 FOR REVISION		



UNLESS OTHERWISE SPECIFIED
 ALL DIMENSIONS ARE MM
 TOLERANCES: EXCEPT AS NOTED
 INCHES

.X	± .10	ØX	± .10
.XX	± .020	ØXX	± .015
.XXX	± .015	ØXXX	± .010

APPROVALS: _____ DATE: _____

DRAWN: DY 11/19/10

CHECKED: _____

APPROVED: _____

ADAM TECH
 909 Railway Avenue, Union, NJ 07083
 Phone: 908-687-5000 Fax: 908-687-5710

TITLE: SO DIMM SOCKET, 204 PIN, SMT
 1.5V DRAM, 8.0MM HEIGHT, REVERSE

SIZE: X PART NO.: SOD-204-S-4.8-0-R

REF: S00127T SCALE: NTS SHEET 2 OF 2