

6

5

4

3

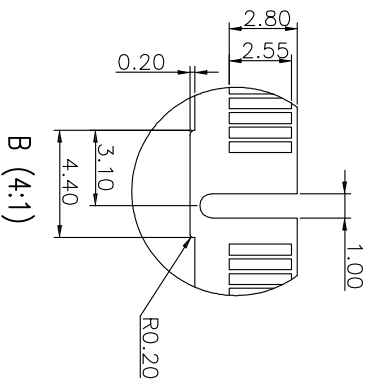
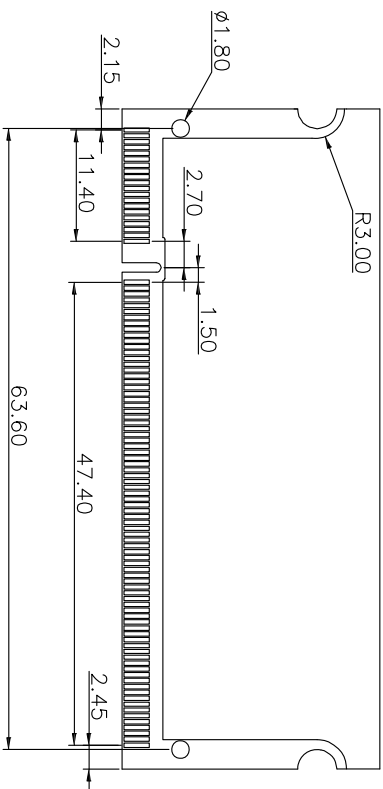
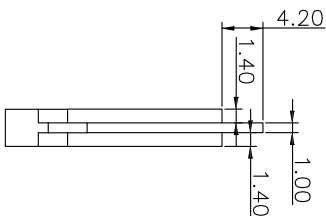
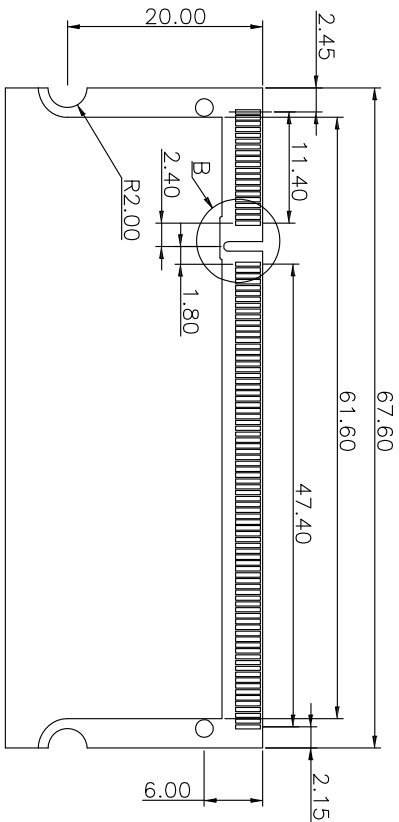
2

1

Rev	AWO #	Description	Date	Appr
		SEE SHT 1 OF 2 FOR REVISION		

APPROVED: _____

DATE: _____ TITLE: _____



A

B

C

D

A

B

C

D

6

5

4

3

2

1

ADAM TECH

909 Railway Avenue, Union, NJ 07083
 Phone: 908-687-5000 Fax: 908-687-5710

TITLE: SO DIMM SOCKET, 200 PIN, SMT
 1.8V DDR RAM, 4.0MM HEIGHT, REVERSE

UNLESS OTHERWISE SPECIFIED ALL DIMENSIONS ARE MM		TOLERANCES: EXCEPT AS NOTED	
.X	± .10	ØXX	± .10
.XX	± .020	ØXXX	± .015
.XXX	± .015	ØXXXX	± .010
APPROVALS	DATE	SIZE	PART NO.
DRAWN	DY	7/14/10	SOD-200-S-5-4.0-R
CHECKED			
APPROVED			
REF: S00127T	SCALE: NTS	SHEET 2 OF 2	REV. -