

6

5

4

3

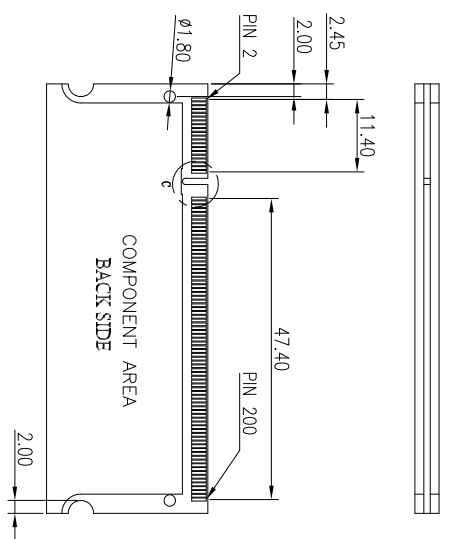
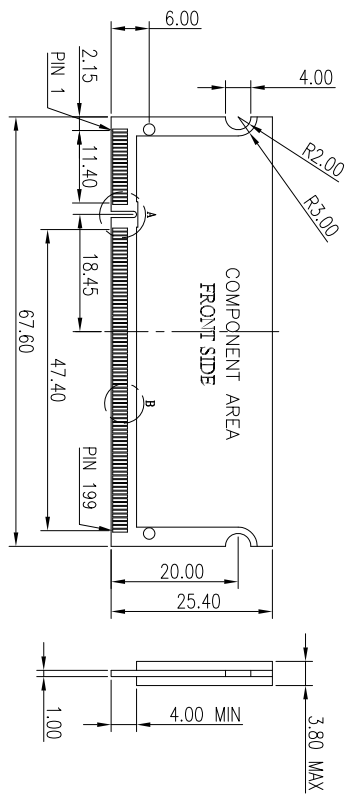
2

1

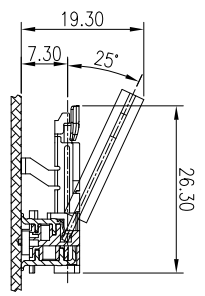
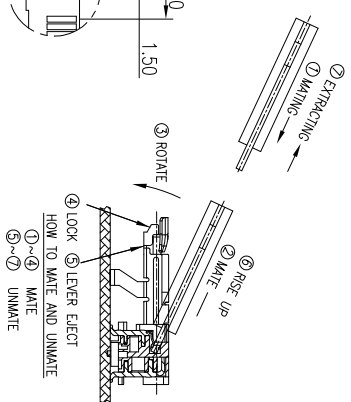
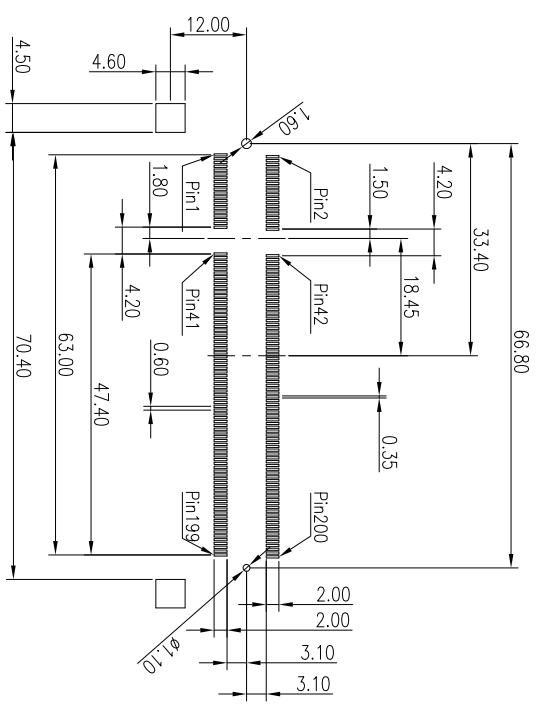
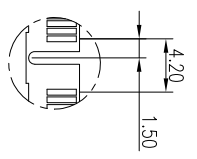
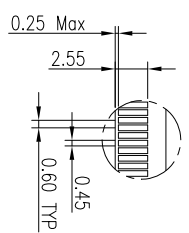
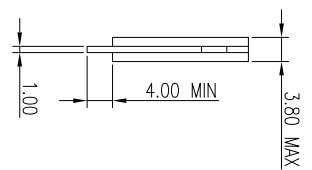
APPROVED: _____

DATE: _____ TITLE: _____

Rev	AWO #	Description	Date	Appr
		SEE SHIT 1 OF 2 FOR REVISION		



RECOMMENDED MODULE CONFIGURATION.



ADAM TECH

909 Railway Avenue, Union, NJ 07083
Phone: 908-687-5000 Fax: 908-687-5710

TITLE: SO DIMM, 200 PIN DDR1 SOCKET, SMT
2.5V KEY, 9.2MM HEIGHT, REVERSED TYPE

UNLESS OTHERWISE SPECIFIED ALL DIMENSIONS ARE MM	
TOLERANCES: EXCEPT AS NOTED	
INCHES	HOLES
.X ± .10	ØX ± .10
.XX ± .020	ØXX ± .015
.XXX ± .015	ØXXX ± .010
APPROVALS	DATE
DRAWN	DY
CHECKED	
APPROVED	

REF: S00J31T	SCALE: NTS	SHEET 2 OF 2
SIZE: X	PART NO.: SOD-200-S-3-9-2-R	REV: -

6

5

4

3

2

1