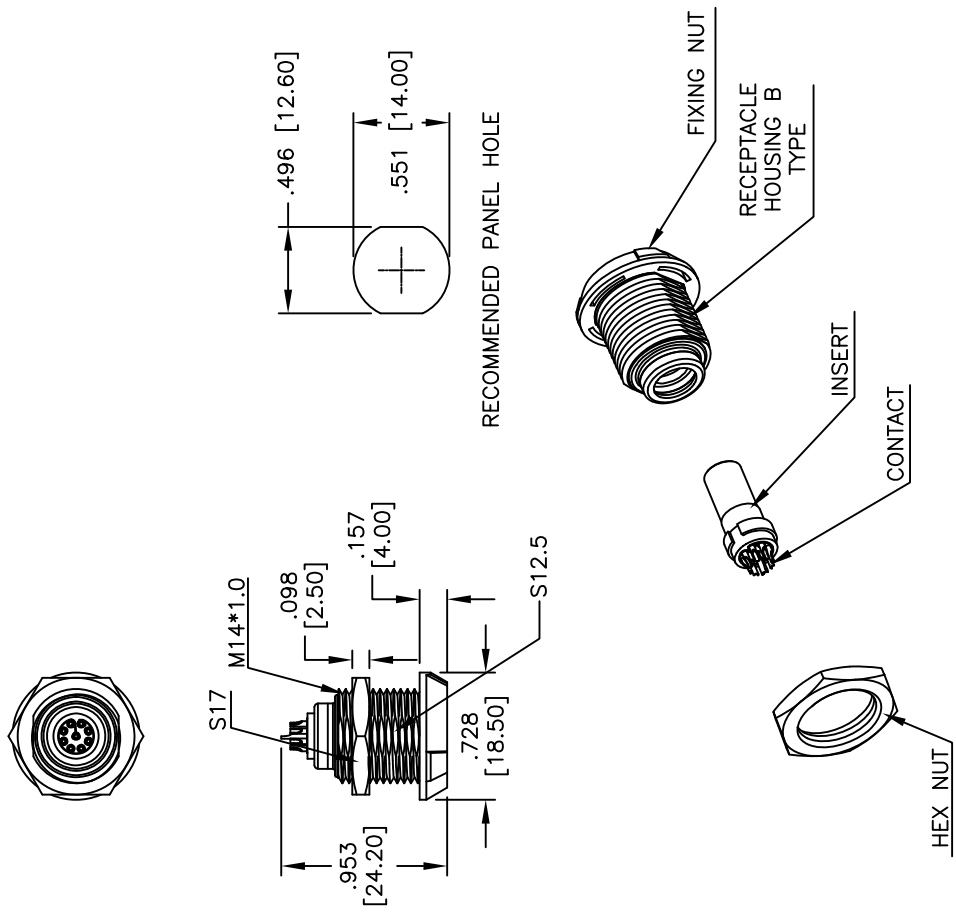


APPROVED: _____ TITLE: _____
 DATE: _____

Rev	AWO #	Description	Date	Appr
-		RELEASED	1/03/11	

Positions	View from termination side Socket part	Contact Diameter
2 PIN		1.3MM
4 PIN		0.9MM
5 PIN		0.9MM
6 PIN		0.7MM
7 PIN		0.7MM
8 PIN		0.7MM
9 PIN		0.5MM
10 PIN		0.5MM
14 PIN		0.5MM



ADAM TECH
 909 Rahway Avenue, Union, NJ 07083
 Phone: 908-687-5000 Fax: 908-687-5710

TITLE: SNAP LATCH, RECEPTACLE, NUT FIXING

UNLESS OTHERWISE SPECIFIED ALL DIMENSIONS ARE INCHES [MM]
 TOLERANCES: EXCEPT AS NOTED INCHES HOLES
 .X ±.10 ØX ±.10
 .XX ±.020 ØXX ±.015
 .XXX ±.015 ØXXX ±.010

APPROVALS: _____ DATE: 1/03/11
 DRAWN: _____ DY: _____
 CHECKED: _____
 APPROVED: _____

SIZE: X PART NO. SNAP-S-XX-NC-A-FN
 REF: S00010C SCALE: NTS SHEET 1 OF 1