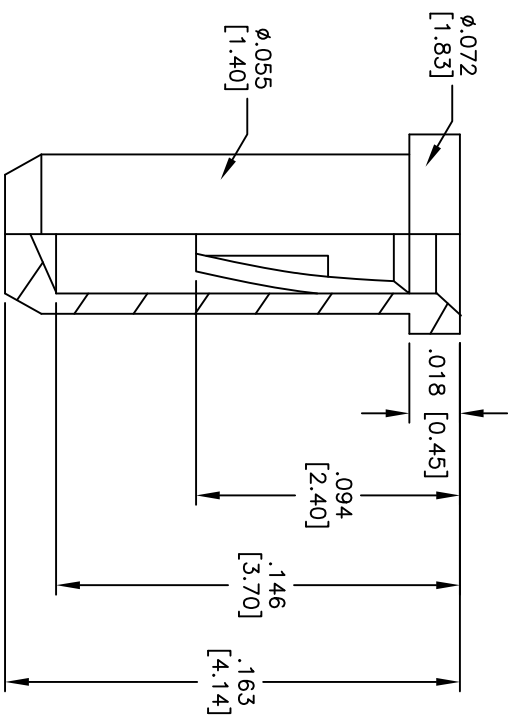


Rev	AWO #	Description	Date	Appr
-		RELEASED	5/05/10	

APPROVED: _____
 DATE: _____ TITLE: _____



SPECIFICATIONS:

Material: Sleeve material: Brass Alloy 360, 1/2H plated: Gold or Tin Lead
 Contact material: BeCu Alloy 172, HT plated: Gold Over Nickel.
 Operation Temp.: -55°C to +125°C
 Pin Receptacle: 0.40~0.56mm Dia.
 Solder mount: 1.44mm Dia. Mounting Hole.

UNLESS OTHERWISE SPECIFIED
 ALL DIMENSIONS ARE INCHES [MM]
 TOLERANCES EXCEPT AS NOTED IN INCHES

.X	± .10	ØX	± .10
.XX	± .020	ØXXX	± .015
.XXX	± .015	ØXXXX	± .010

APPROVALS

DRAWN	DY	5/05/10
CHECKED		
APPROVED		

ADAM TECH
 909 Rahway Avenue, Union, NJ 07083
 Phone: 908-687-5000 Fax: 908-687-5710

TITLE: PIN RECEPTACLES

SIZE	PART NO.	SMS-001-GT	REV.	
REF: S0038T	SCALE: NTS	SHEET 1 OF 1		