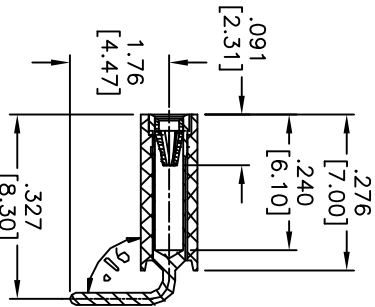
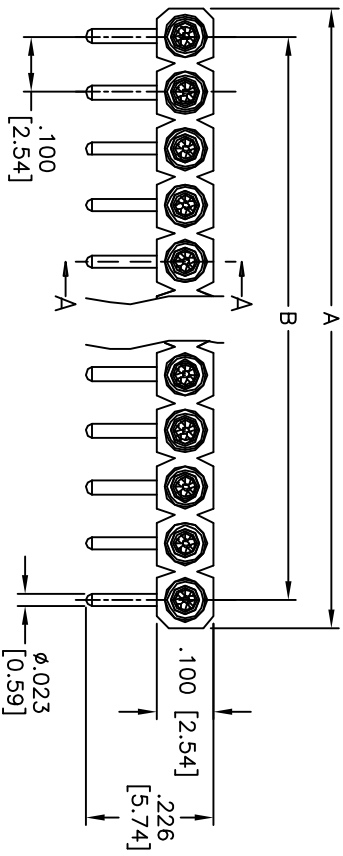
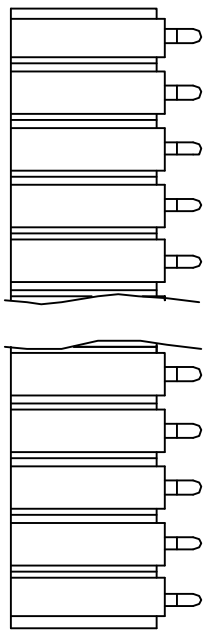


Rev	AWO #	Description	Date	Appr
-		RELEASED	7/29/10	

APPROVED: _____
 DATE: _____ TITLE: _____



SECTION A-A

SPECIFICATIONS:

- Material: Insulator: PBT, Glass reinforced, rated UL 94V-0
- Insulator color: Black
- Contacts: BeCu
- Sleeve: Brass
- Plating:
- Inner contact: Gold flash over Nickel underplate
- Outer sleeve: Tin over Copper underplate overall
- Electrical:
- Current rating: 3 Amp
- Contact resistance: 4 mohms max
- Temperature Rating: Operating temperature: -40°C to +105°C
- Environmental: Lead free, RoHS compliant
- Recommended soldering temp: 235°C for 5 seconds

Positions: 2 thru 40
 A = .100 [2.54] x No. of Positions
 B = .100 [2.54] x No. of Positions

UNLESS OTHERWISE SPECIFIED ALL DIMENSIONS ARE INCHES [MM]	
TOLERANCES: EXCEPT AS NOTED	
INCHES	HOLDS
.X ± .10	ØXX ± .10
.XX ± .020	ØXXX ± .015
.XXX ± .015	ØXXXX ± .010
APPROVALS	DATE
DRAWN	DY
CHECKED	
APPROVED	

ADAM TECH
 909 Railway Avenue, Union, NJ 07083
 Phone: 908-687-5000 Fax: 908-687-5710

TITLE: .100 [2.54] MACHINED FEMALE HEADER, SINGLE ROW, RA, GOLD/TIN PLATED

SIZE	PART NO.	REV.
X	SMC-1H7R-XX-1-GT	-
REF:	S00007T	SHEET 1 OF 1

