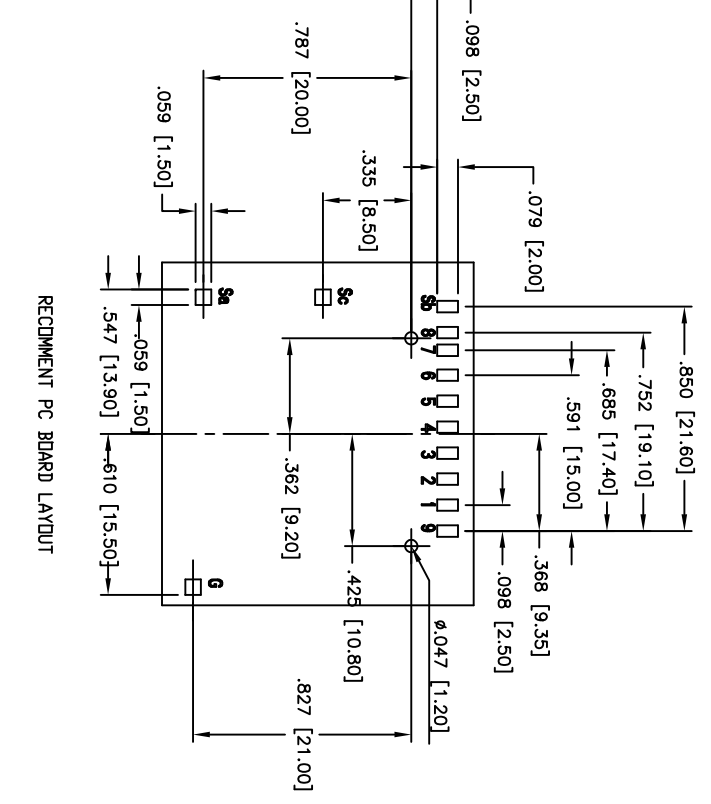
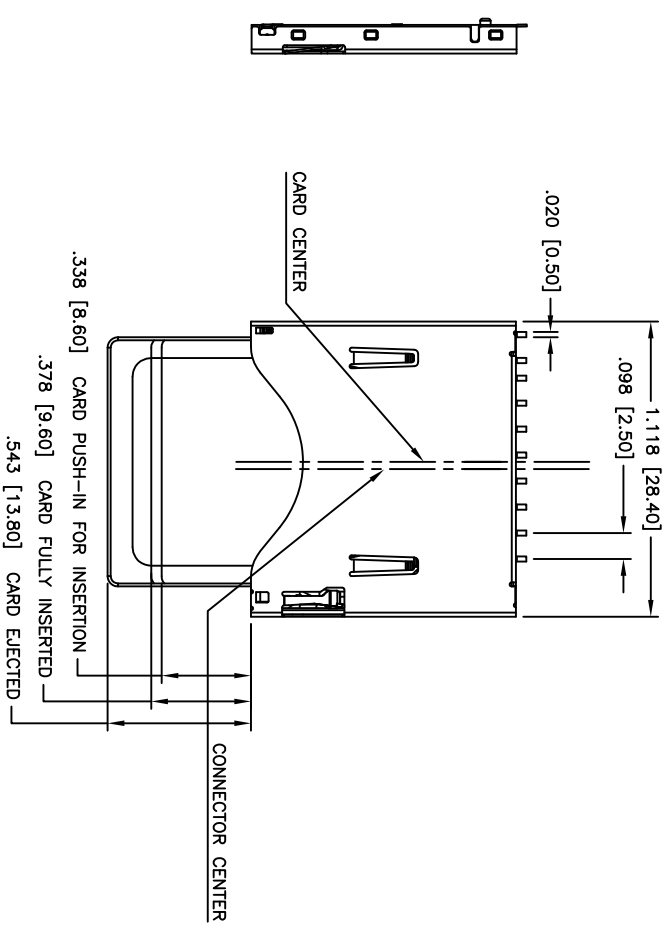
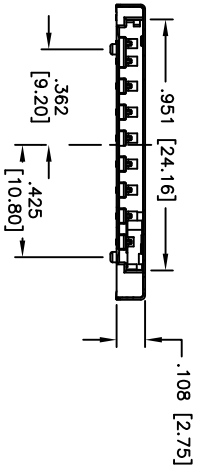


Rev	AWO #	Description	Date	Appr
-		RELEASED	4/29/08	

APPROVED: _____
 DATE: _____ TITLE: _____



RECOMMEND PC BOARD LAYOUT



Card detection switch	Write protection switch
When card is ejected	When card is inserted
DPEN	DPEN
When card is inserted	When card is ejected
CLOSE	CLOSE
DPEN	DPEN
When card is inserted	When card is ejected
CLOSE	CLOSE

PACKAGED ON TAPE & REEL

SPECIFICATIONS:
 Material: Insulator: PA9T, rated UL 94V-0
 Insulator color: Black
 Contacts: Phosphor Bronze
 Shell: Stainless Steel
Plating:
 Gold over Nickel underplate on contact area,
 Tin over Copper underplate on SMT tails
Electrical:
 Operating voltage: 3.3 VAC max
 Current rating: 0.5 Amps max
 Contact resistance: 40 mohms max.
 Insulation resistance: 1000 Mohms min
 Dielectric withstanding voltage: 250 VAC for 1 minute
Mechanical:
 Mating Cycles: 10,000 min.
Temperature Rating:
 Operating temperature: -20°C to +60°C
 Environmental:
 Lead free, RoHS compliant.
 Recommended soldering temp: 260°C for 5 sec.

ADAM TECH

909 Rahway Avenue, Union, NJ 07083
 Phone: 908-687-5000 Fax: 908-687-5710

TITLE: SECURE DIGITAL SOCKET, PUSH-IN/
 PUSH-OUT, SMT, NO STANDOFF

UNLESS OTHERWISE SPECIFIED
 ALL DIMENSIONS ARE INCHES [MM]
 TOLERANCES: EXCEPT AS NOTED
 INCHES HOLES
 .X ± .10 Ø.X ± .10
 .XX ± .020 Ø.XXX ± .015
 .XXX ± .015 Ø.XXX ± .010

APPROVALS	DATE	TITLE	REV.
DRAWN	DY	4/29/08	
CHECKED			
APPROVED			
SIZE	PART NO.	SCALE	SHEET 1 OF 1
X	SDP-09-SG-A1-TR	MKS	