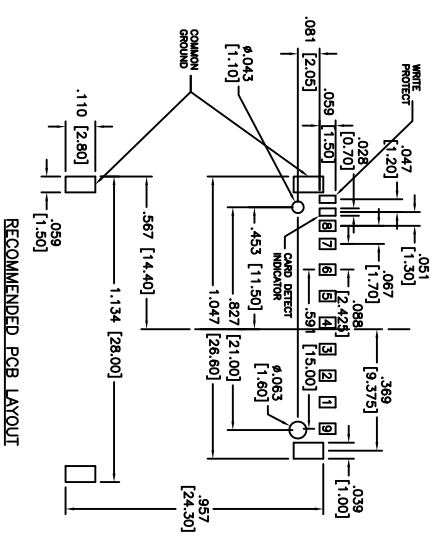
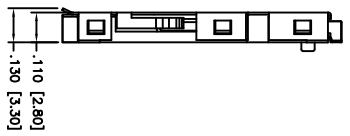
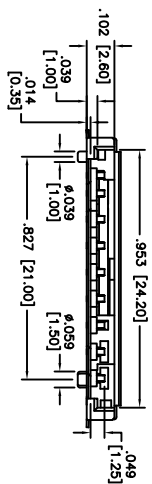
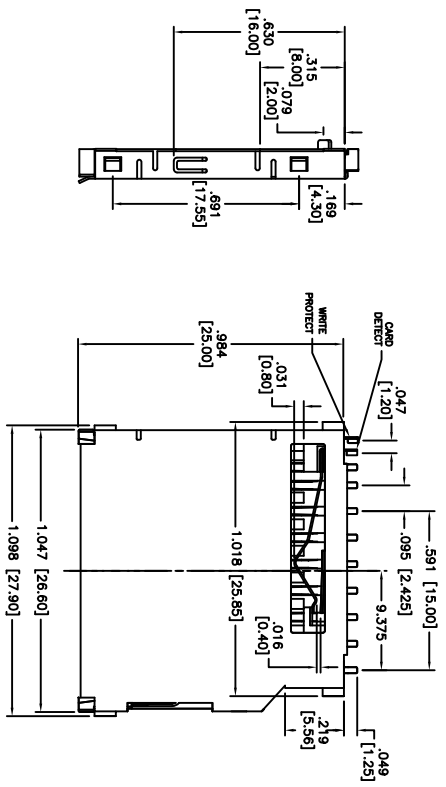
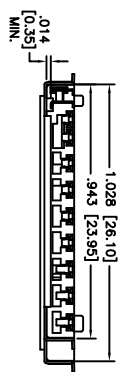
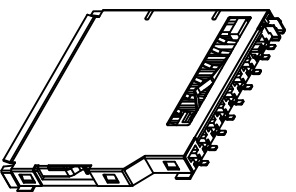


APPROVED: \_\_\_\_\_  
 DATE: \_\_\_\_\_ TITLE: \_\_\_\_\_

Rev	AWO #	Description	Date	Appr
-		RELEASED	2/16/06	
A		REDRAWN	10/16/09	



PIN #	NAME
1	CD / DAT3
2	CMD
3	VSS1
4	VDD
5	CLK
6	VSS2
7	DAT10
8	DAT1
9	DAT2



**SPECIFICATIONS:**

- Material: Insulator: Thermal Plastic, rated UL 94V-0
- Insulator color: Natural
- Contacts: Copper Alloy
- Plating: Gold Flash over Nickel underplate on contact area, Tin over Copper underplate on SMT tails
- Electrical: Current rating: 1 Amp max, Contact resistance: 100 mohms, Insulation resistance: 1000 Mohms min
- Mechanical: Mating Cycle: 10000 Cycles, Temperature Rating: Operating temperature: -40°C to +85°C
- Environmental: Lead free, RoHS compliant.
- Recommended soldering temp: 260°C for 5 sec.



**ADAM TECH**

909 Ratway Avenue, Union, NJ 07083  
 Phone: 908-687-5000 Fax: 908-687-5710  
 SECURE DIGITAL SOCKET, 9 PIN  
 NO STANDOFFS

UNLESS OTHERWISE SPECIFIED ALL DIMENSIONS ARE INCHES [MM] TOLERANCES: EXCEPT AS NOTED		INCHES		HOLES	
X	± .10	ØX	± .10		
XX	± .020	ØXX	± .015		
XXX	± .015	ØXXX	± .010		
APPROVALS		DATE			
DRAWN	SS		2/16/06		
CHECKED					
APPROVED					
REF: S00009T	SIZE PART NO. SDM-09-A-SG-0	SCALE: NTS	SHEET 1 OF 1	REV: A	