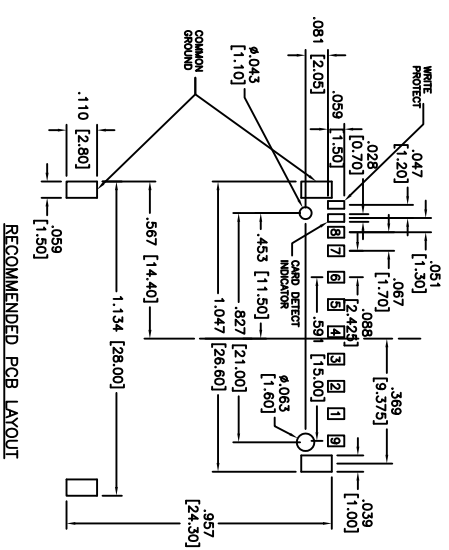
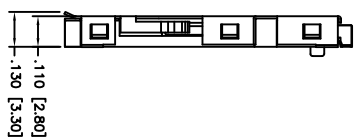
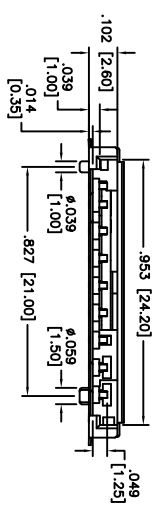
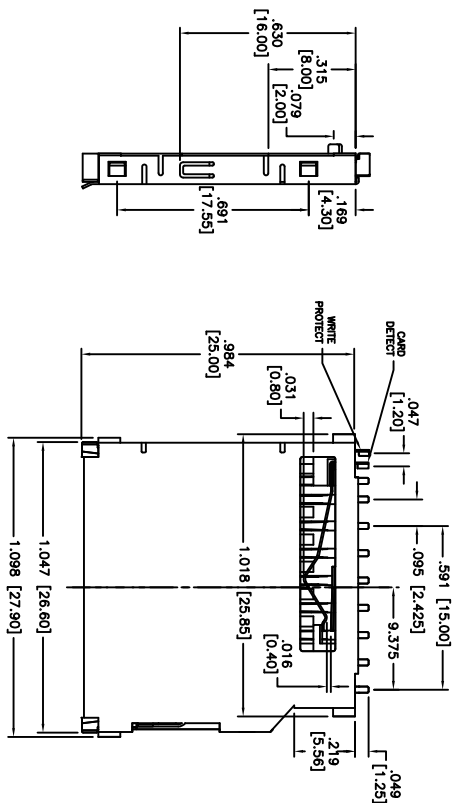
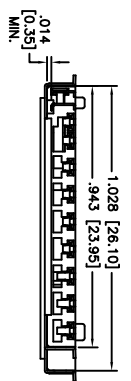
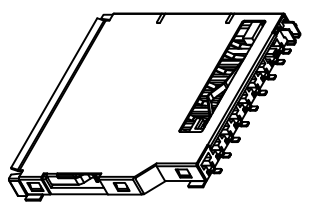


Rev	AWO #	Description	Date	Appr
-		RELEASED	1/20/11	

APPROVED: _____
 DATE: _____ TITLE: _____



PIN #	NAME
1	CD / DAT3
2	CMD
3	VSS1
4	VDD
5	CLK
6	VSS2
7	DAT0
8	DAT1
9	DAT2



PACKAGED ON TAPE & REEL

SPECIFICATIONS:

- Material: Insulator: Thermal Plastic, rated UL 94V-0
- Insulator color: Natural
- Contacts: Copper Alloy
- Plating: 15u" Gold over Nickel underplate on contact area, Tin over Copper underplate on SMT tails
- Current rating: 1 Amp max
- Contact resistance: 100 mohms
- Insulation resistance: 1000 Mohms min
- Mating Cycle: 10000 Cycles
- Temperature Rating: Operating temperature: -40°C to +85°C
- Environmental: Lead free, RoHS compliant.
- Recommended soldering temp: 260°C for 5 sec.

A

UNLESS OTHERWISE SPECIFIED
 ALL DIMENSIONS ARE IN INCHES [MM]
 TOLERANCES: EXCEPT AS NOTED
 INCHES: .10 ± .10
 .XX ± .020
 .XXX ± .015
 HOLES: Ø.X ± .10
 Ø.XXX ± .015

ADAM TECH
 909 Railway Avenue, Union, NJ 07083
 Phone: 908-687-5000 Fax: 908-687-5710

SECURE DIGITAL SOCKET, 9 PIN
NO STANDOFFS, 15u" SEL GOLD PLATED

APPROVALS	DATE
DRAWN AY	1/20/11
CHECKED JL	1/20/11
APPROVED	

SIZE	PART NO.	TITLE	REV.
X	SDM-09-A-SG-0-15-TR	SECURE DIGITAL SOCKET, 9 PIN NO STANDOFFS, 15u" SEL GOLD PLATED	-
REF: S00009T	SCALE: NTS	SHEET 1 OF 1	

6

5

4

3

2

1

