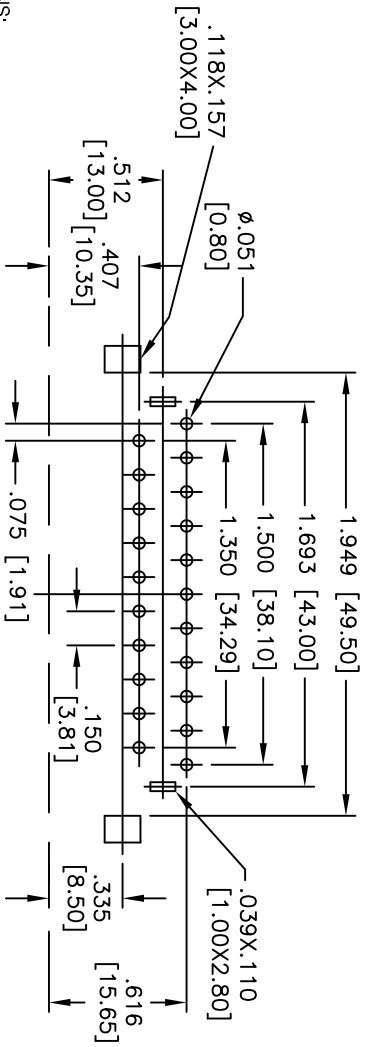
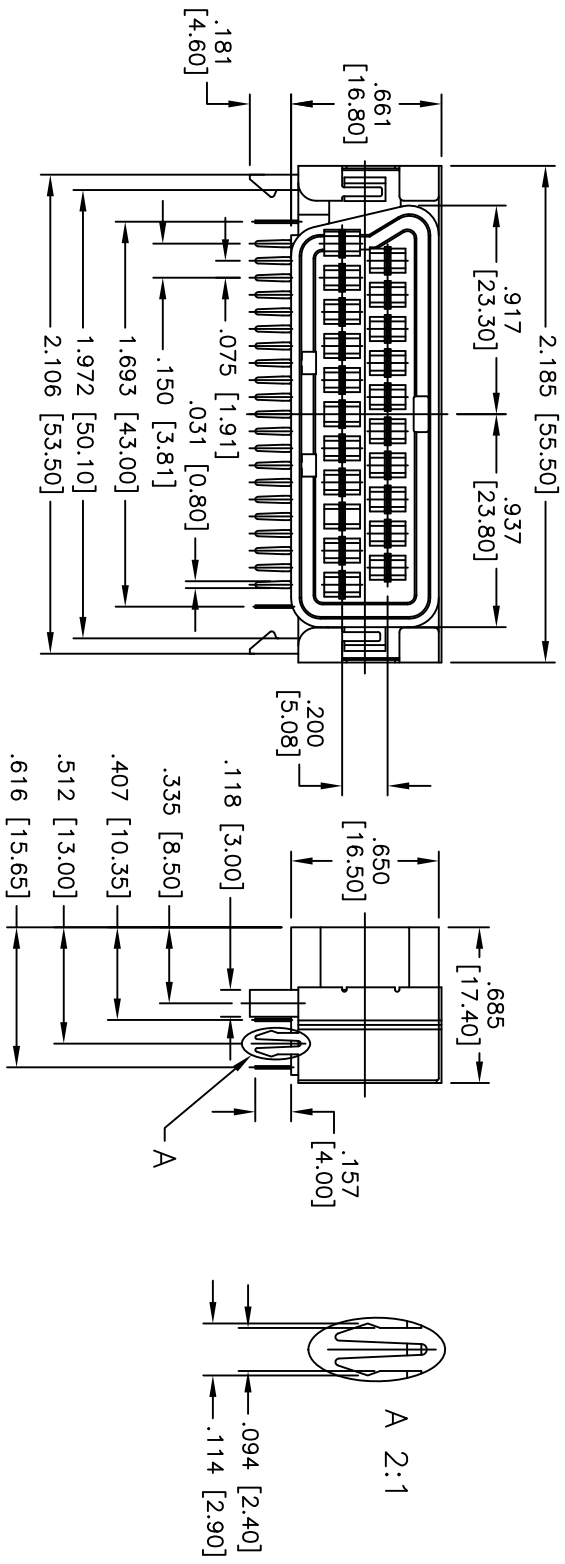


Rev	AWO #	Description	Date	Appr
-		RELEASED	11/17/10	

APPROVED: \_\_\_\_\_  
 DATE: \_\_\_\_\_ TITLE: \_\_\_\_\_



**SPECIFICATIONS:**

- Material: Insulator: PC, rated UL 94V-2 & Glass fiber
- Insulator color: Black
- Contacts: Brass
- Plating: Tin over Copper underplate overall
- Electrical: Operating voltage: 250 VAC max
- Current rating: 3 Amps max
- Contact resistance: 25 Mohms max
- Insulation resistance: 5,000 Mohms min @ 100 VDC
- Dielectric withstanding voltage: 350 VAC for 1 minute
- Environmental: Lead free, RoHS Compliant
- Recommended soldering temp: 235° for 5 seconds

**ADAM TECH**

909 Railway Avenue, Union, NJ 07083  
 Phone: 908-687-5000 Fax: 908-687-5710

SCART CONNECTOR, 21 PIN, RIGHT ANGLE

UNLESS OTHERWISE SPECIFIED		TOLERANCES ARE INCHES [MM]	
INCHES		HOLES	
X	± .10	ØXX	± .10
.XX	± .020	ØXXX	± .015
.XXX	± .015	ØXXXX	± .010
APPROVALS		DATE	
DRAWN	AY	11/17/10	
CHECKED	AH	11/17/10	
APPROVED			

SIZE	PART NO.	REV.
X	SCT-SR-21-A-S1-A00743	-
REF:	S00167T	SCALE: NTS
SHEET 1 OF 1		

