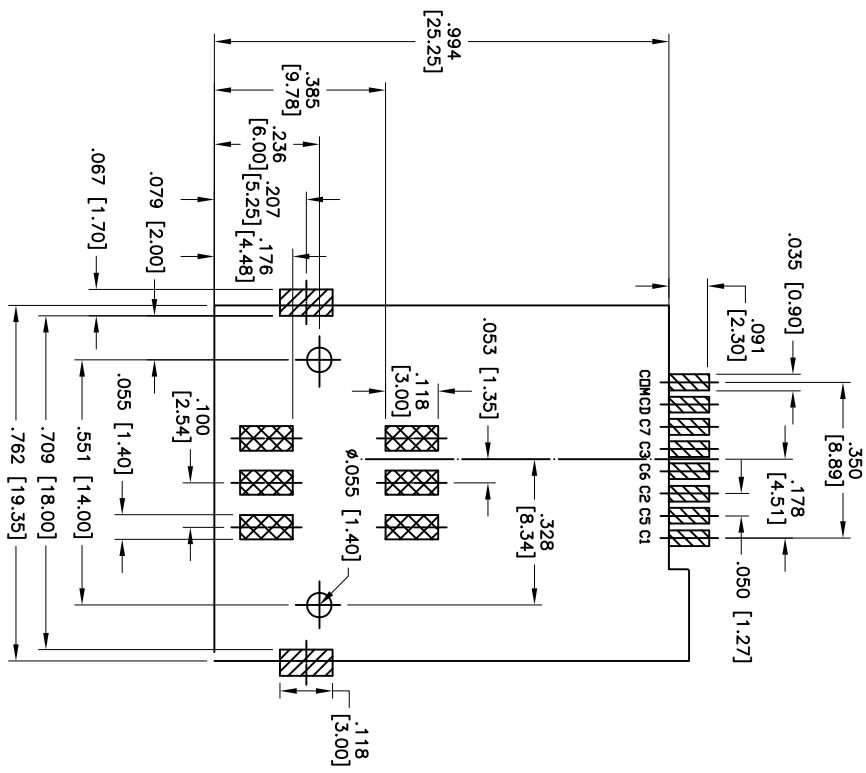
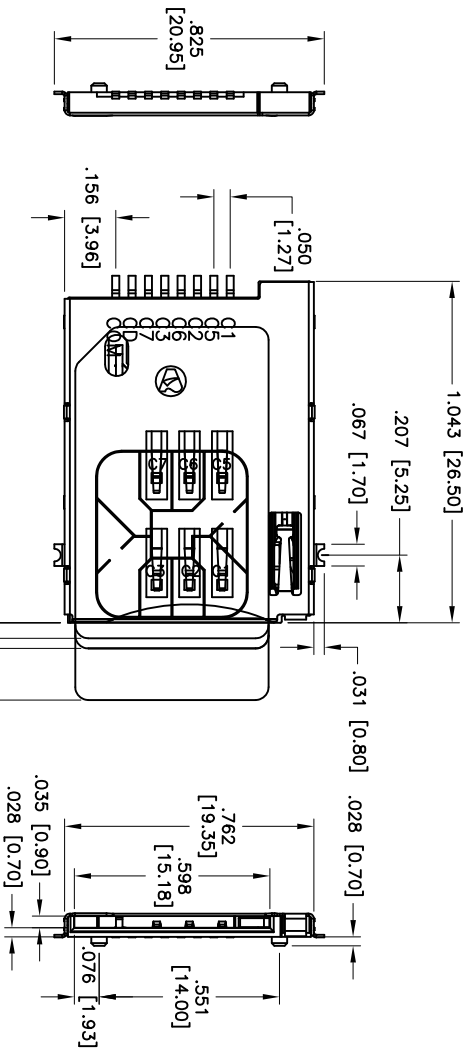
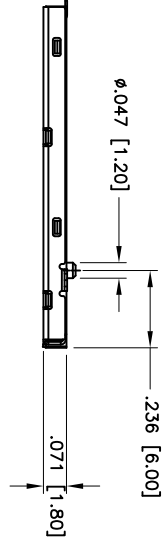
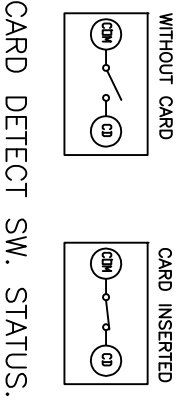


Rev	AWO #	Description	Date	Appr
-		RELEASED	9/30/08	
A		CHANGED TEMPERATURE	6/15/10	
B		REVISED SHAPE	10/7/10	

APPROVED: \_\_\_\_\_  
 DATE: \_\_\_\_\_ TITLE: \_\_\_\_\_



Recommended PCB Layout



CARD DETECT SW. STATUS.

**SPECIFICATIONS:**

- Material: LCP with glass fiber reinforced, rated UL 94V-0
- Insulator color: Black
- Contacts: Phosphor Bronze
- Metal cover and Boardlock: Stainless steel sheet.
- Plating: 10u" Gold over Nickel underplate on contact area, Tin over Copper underplate on SMT tails
- Electrical: Current rating: 0.5 Amps max. Contact resistance: 30 mohms max. Insulator resistance: 1000 Mohms min @ 500V DC. Dielectric withstanding voltage: 500 VAC for 1 minute
- Temperature Rating: Operating temperature: -40°C to +85°C
- Environmental: Lead free, RoHS compliant.
- Recommended soldering temp: 260°C for 5 sec.



UNLESS OTHERWISE SPECIFIED  
 ALL DIMENSIONS ARE INCHES. [MM]  
 TOLERANCES: EXCEPT AS NOTED  
 INCHES Holes ±.10  
 .XX ±.020 ØXXX ±.015  
 .XXX ±.015 ØXXX ±.010  
 APPROVALS DATE

**ADAM TECH**  
 909 Rahway Avenue, Union, NJ 07083  
 Phone: 908-687-5000 Fax: 908-687-5710

DRAWN	DY	9/30/08	TITLE	SIM CARD SOCKET 6+2 PIN, PUSH PUSH TYPE
CHECKED			NO STAND OFF	
APPROVED			SIZE PART NO.	SCCP-08-SG-SMT
			REF: S00009T	SCALE: NTS
				SHEET 1 OF 1