

6

5

4

3

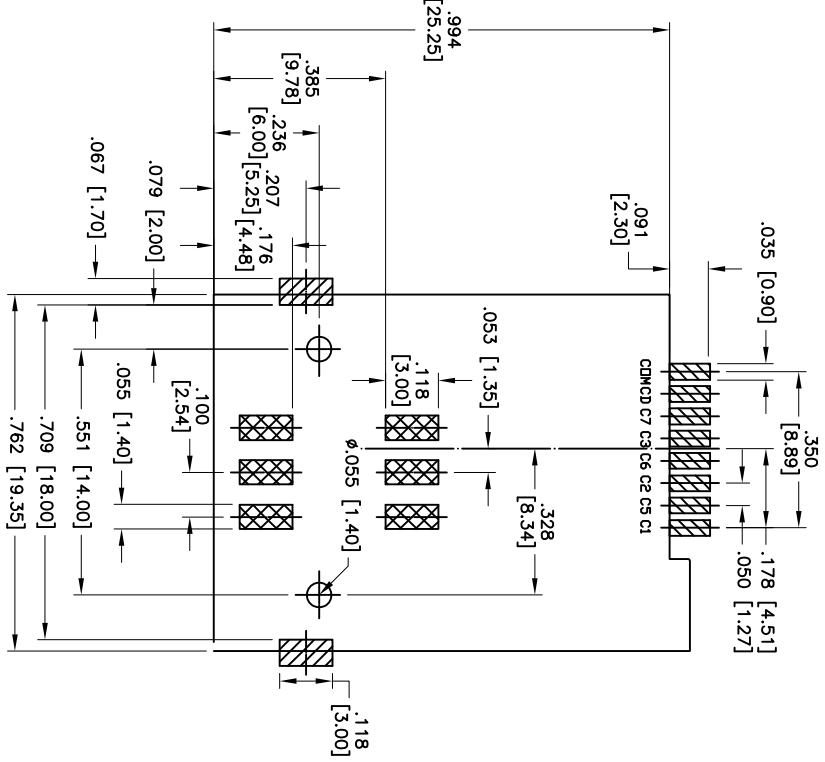
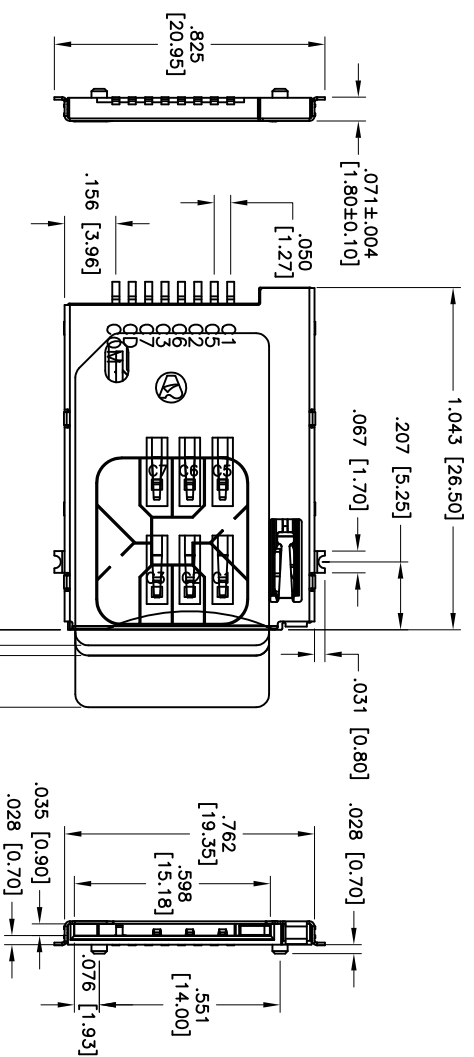
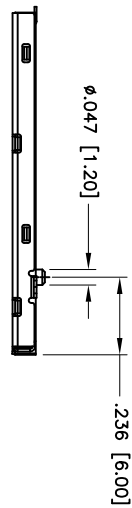
2

1

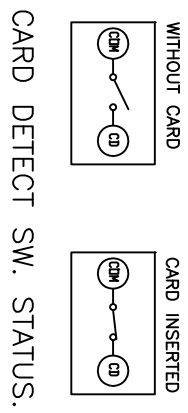
APPROVED: \_\_\_\_\_

DATE: \_\_\_\_\_ TITLE: \_\_\_\_\_

Rev	AWO #	Description	Date	Appr
-		RELEASED	9/30/08	
A		ADDED DIM.	12/23/08	
B		ADDED DIM.	1/15/09	
C		CHANGED TEMPERATURE	6/15/10	
D		REVISED SHAPE	10/7/10	
E		ADDED TOLERANCE	4/25/11	



Recommended PCB Layout  
 PACKAGED ON TAPE & REEL



A

B

C

D

**SPECIFICATIONS:**

Material: LCP with glass fiber reinforced, rated UL 94V-0  
 Insulator color: Black  
 Contacts: Phosphor Bronze  
 Metal cover and Boardlock: Stainless steel sheet.  
 Plating:  
 10u" Gold over Nickel underplate on contact area,  
 Tin over Copper underplate on SMT tails  
 Electrical:  
 Current rating: 0.5 Amps max  
 Contact resistance: 30 mohms max.  
 Insulation resistance: 1000 Mohms min @ 500V DC  
 Dielectric withstanding voltage: 500 VAC for 1 minute  
 Temperature Rating:  
 Operating temperature: -40°C to +85°C  
 Environmental:  
 Lead free, RoHS compliant.  
 Recommended soldering temp: 260°C for 5 sec.



UNLESS OTHERWISE SPECIFIED  
 ALL DIMENSIONS ARE INCHES [MM]  
 TOLERANCES: EXCEPT AS NOTED  
 INCHES  
 .X ± .10 Ø.X ± .10  
 .XX ± .020 Ø.XXX ± .015  
 .XXX ± .015 Ø.XXXX ± .010

**ADAM TECH**  
 909 Railway Avenue, Union, NJ 07083  
 Phone: 908-687-5000 Fax: 908-687-5710

APPROVALS	DATE	TITLE	SIZE	PART NO.	REV.
DRAWN	DY	9/30/08	X	SCCP-08-SG-SMT-T/R	E
CHECKED					
APPROVED					

6

5

4

3

2

1

A

B

C

D