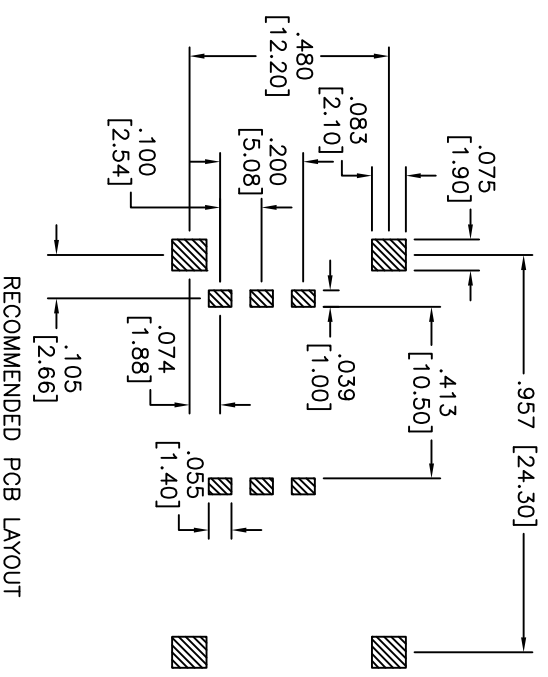
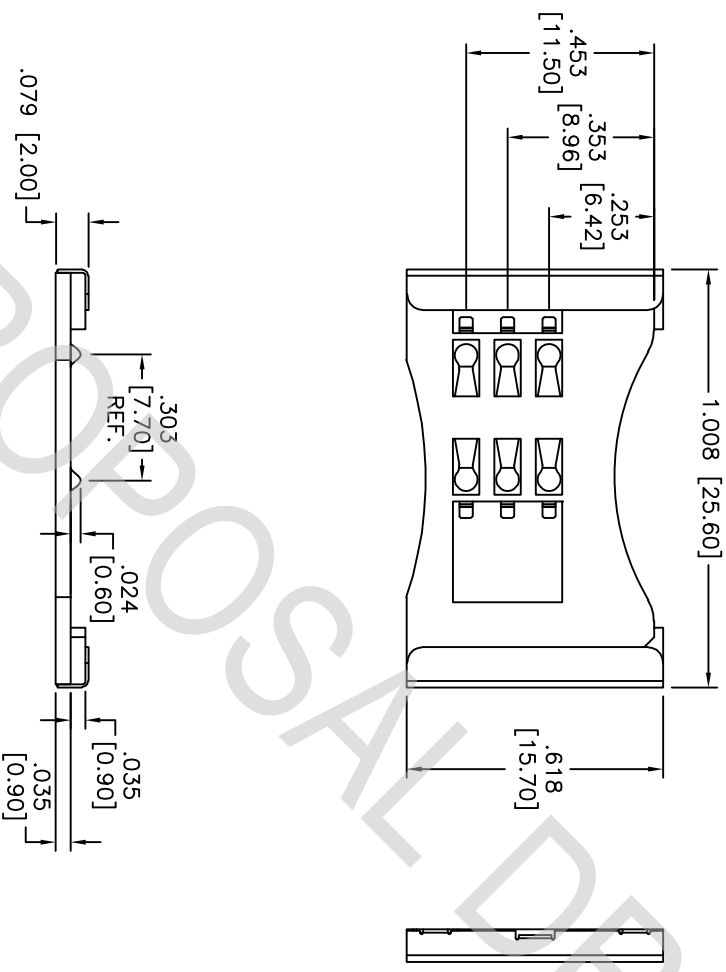


Rev	AWO #	Description	Date	Appr
-		RELEASED	8/11/10	

APPROVED: _____
 DATE: _____ TITLE: _____

DESIGN STAGE FOR SGAER



SPECIFICATIONS:
 Environmental:
 Lead free, RoHS compliant.



UNLESS OTHERWISE SPECIFIED ALL DIMENSIONS ARE INCHES [MM]	
TOLERANCES: EXCEPT AS NOTED	
INCHES	HOLDS
.X ± .10	ØX ± .10
.XX ± .020	ØXX ± .015
.XXX ± .015	ØXXX ± .010
APPROVALS	DATE
DRAWN	DY
CHECKED	
APPROVED	

ADAM TECH
 909 Rahway Avenue, Union, NJ 07083
 Phone: 908-687-5000 Fax: 908-687-5710

TITLE: SIM CARD CONNECTOR, 6 POSITION SURFACE MOUNT

SIZE: X PART NO.: SCC-J-06-SG-SMT
 REF: S00163T SCALE: NTS SHEET 1 OF 1