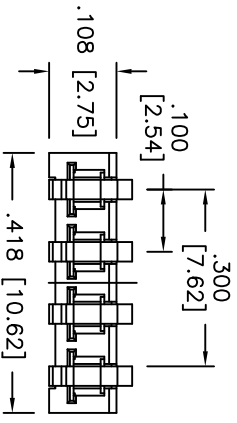
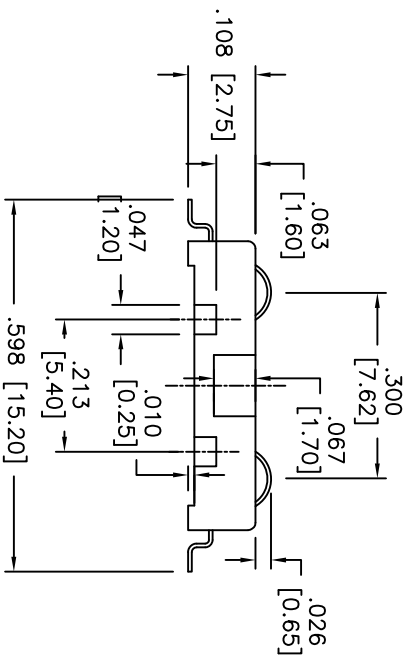
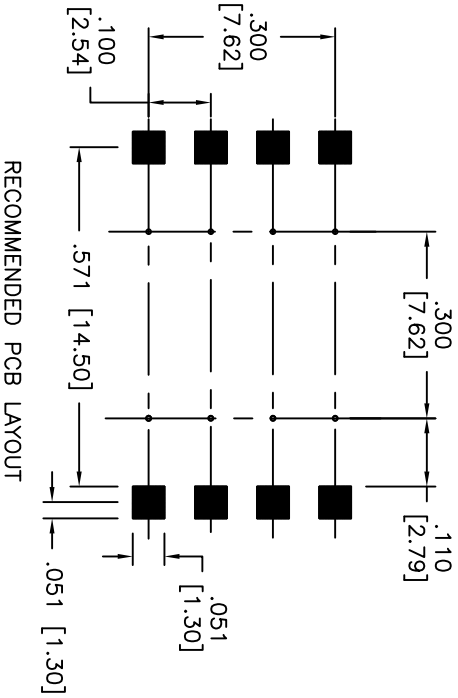
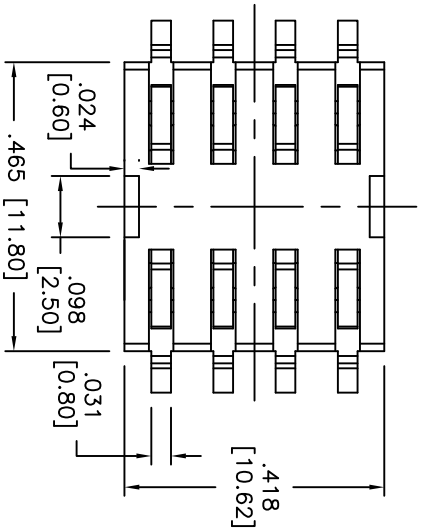


Rev	AWO #	Description	Date	Appr
-		RELEASED	1/10/11	

APPROVED: _____
 DATE: _____ TITLE: _____



SPECIFICATIONS:

Material:

Insulator: Hi-temp thermoplastic, rated UL 94V-0
 Insulator color: Black
 Contacts: Copper Alloy, Gold over Nickel plated

Electrical:

Voltage rating: 30V AC
 Rated current: 1A max.
 Contact resistance: 50 mohms max.
 Insulation resistance: 1000 Mohms min
 Dielectric withstanding voltage: 500VAC rms 1 min.

Temperature Rating:

Operating temperature: -20°C to +70°C

Environmental:

Lead free, RoHS compliant.
 Recommended soldering temp: 260°C for 5 sec.



UNLESS OTHERWISE SPECIFIED ALL DIMENSIONS ARE INCHES [MM]	
TOLERANCES: EXCEPT AS NOTED	
INCHES	HOLDS
.X ± .10	ØX ± .10
.XX ± .020	ØXX ± .015
.XXX ± .015	ØXXX ± .010
APPROVALS	DATE
DRAWN	DY
CHECKED	
APPROVED	

ADAM TECH
 909 Rahway Avenue, Union, NJ 07083
 Phone: 908-687-5000 Fax: 908-687-5710

TITLE
 SIM CARD CONNECTOR, 8 POSITION
 SURFACE MOUNT

SIZE	PART NO.	SCALE	SHEET 1 OF 1
X	SCC-08-SMT-2.75	NTS	
REV.			

6 5 4 3 2 1