

6

5

4

3

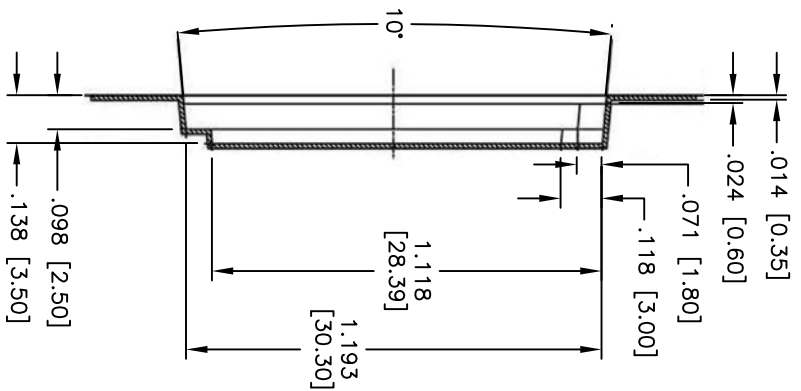
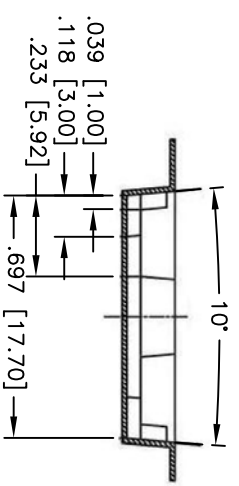
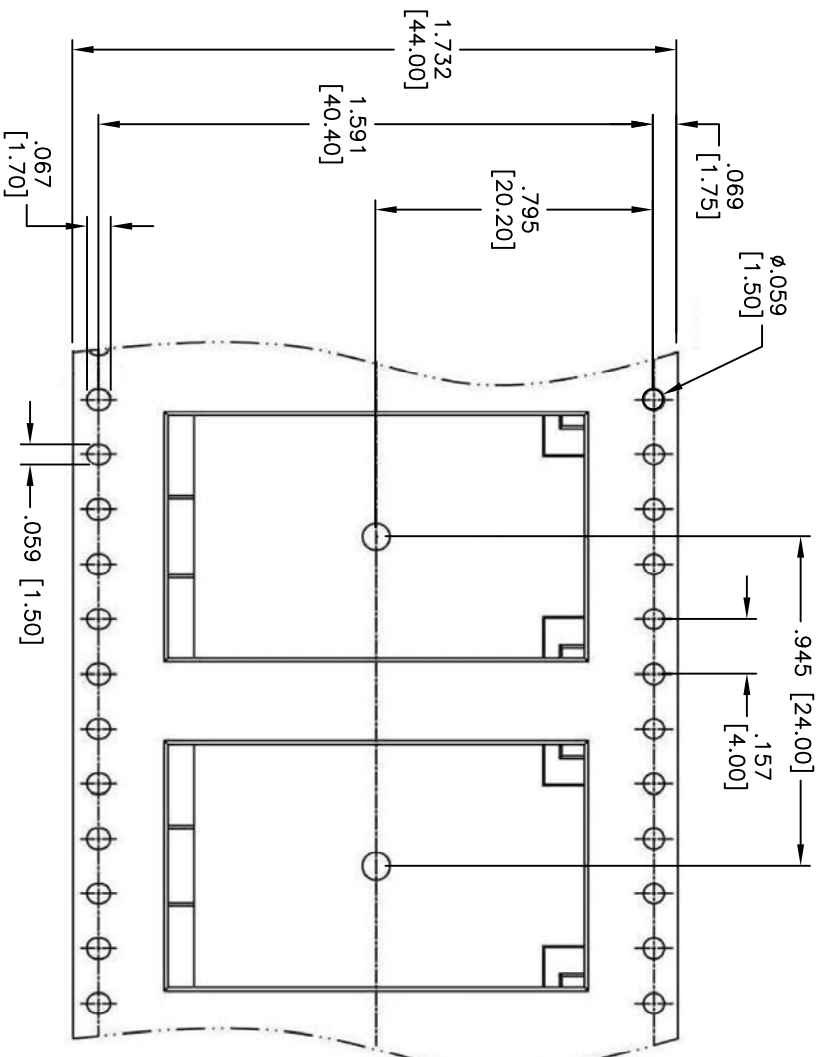
2

1

APPROVED: _____

DATE: _____ TITLE: _____

Rev	AWO #	Description	Date	Appr
		SEE SHT 1 OF 2 FOR REVISION		



A

B

C

D

A

B

C

D

6

5

4

3

2

1

ADAM TECH

909 Railway Avenue, Union, NJ 07083
Phone: 908-687-5000 Fax: 908-687-5710

TITLE: SIM CARD 6 PIN, WITH POST
W/ HINGED COVER, NO SWITCH

UNLESS OTHERWISE SPECIFIED ALL DIMENSIONS ARE INCHES [MM] TOLERANCES: EXCEPT AS NOTED INCHES HOLE		HOLDS	
X	± .10	ØX	± .10
.XX	± .020	ØXX	± .015
.XXX	± .015	ØXXX	± .010
APPROVALS		DATE	
DRAWN	DY	3/30/10	
CHECKED			
APPROVED			

SIZE	PART NO.	REV.
X	SCC-06-SG-HC-NS-T/R	-
REF: S00009T	SCALE: NTS	SHEET 2 OF 2