

6

5

4

3

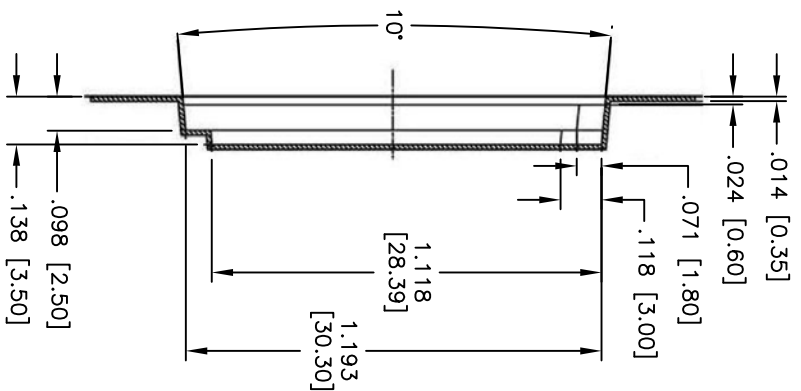
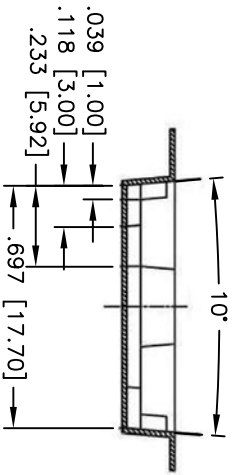
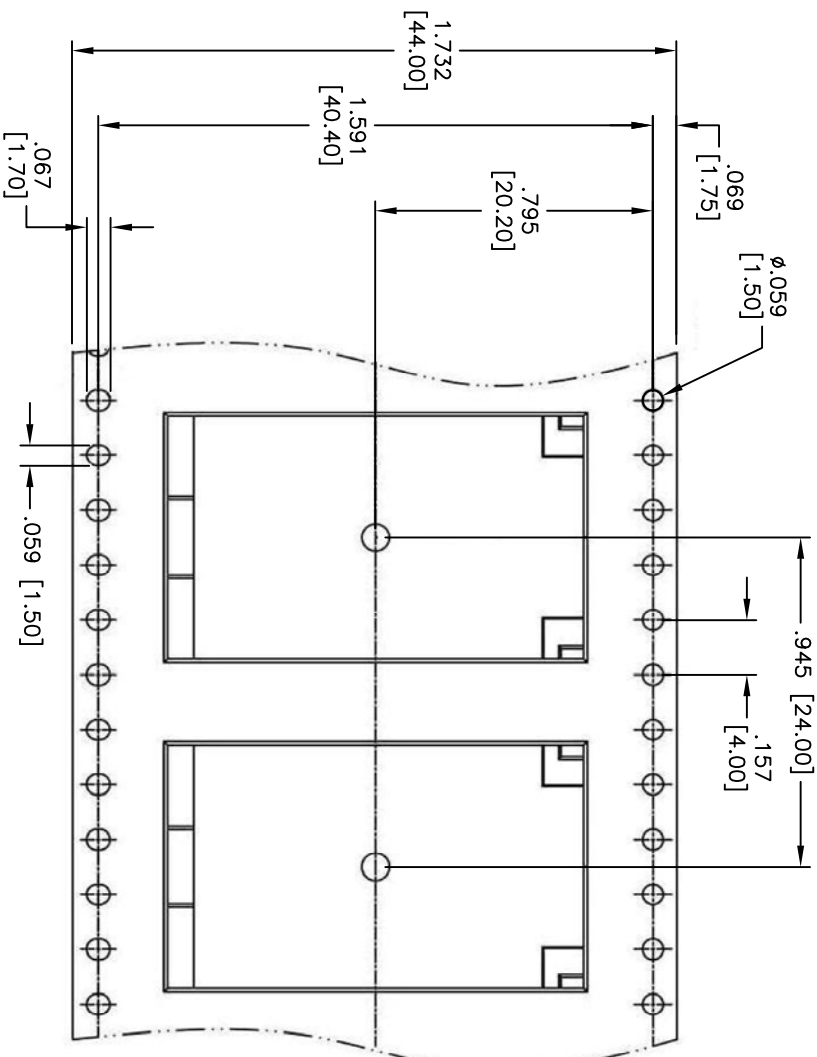
2

1

APPROVED: _____

DATE: _____ TITLE: _____

Rev	AWO #	Description	Date	Appr
		SEE SH1 1 OF 2 FOR REVISION		



ADAM TECH

909 Rahway Avenue, Union, NJ 07083
 Phone: 908-687-5000 Fax: 908-687-5710

TITLE: SIM CARD 6 PIN, W / HINGED COVER,
 NO SWITCH, NO PEGS

UNLESS OTHERWISE SPECIFIED ALL DIMENSIONS ARE IN INCHES [MM]	
TOLERANCES: EXCEPT AS NOTED	
INCHES	HOLDS
.X ± .10	ØXX ± .10
.XX ± .020	ØXXX ± .015
.XXX ± .015	ØXXXX ± .010
APPROVALS	DATE
DRAWN DY	11/03/08
CHECKED	
APPROVED	

SIZE X	PART NO. SCC-06-SG-HC-NS-NP-TR	REV. -
REF: S00009T	SCALE: NTS	SHEET 2 OF 2

A

B

C

D

A

B

C

D

6

5

4

3

2

1