

| Rev | AWO # | Description | Date    | Appr |
|-----|-------|-------------|---------|------|
| -   |       | RELEASED    | 9/01/09 |      |

6

5

4

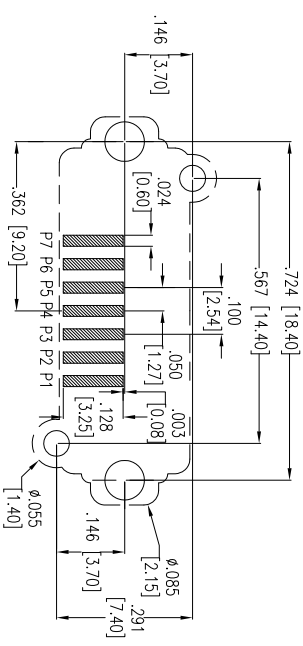
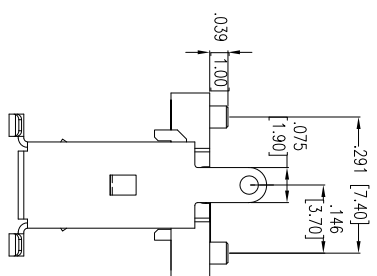
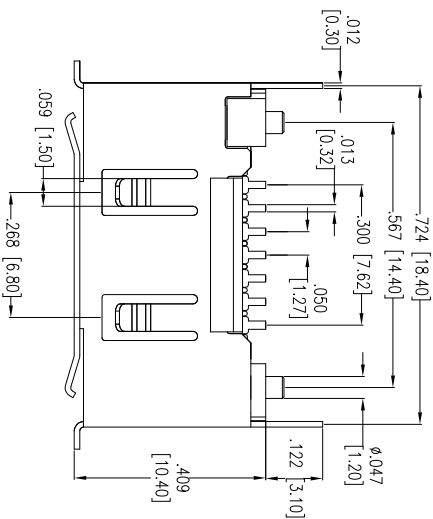
3

2

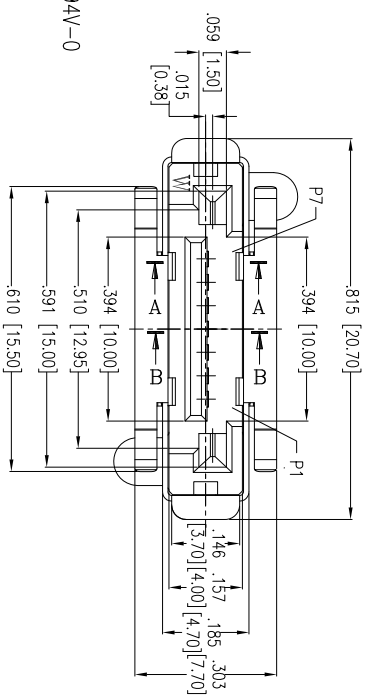
1

APPROVED: \_\_\_\_\_

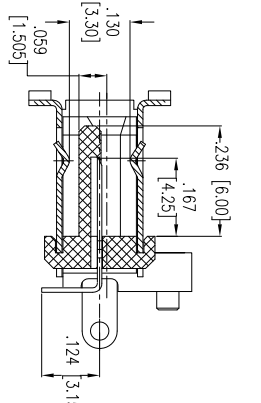
DATE: \_\_\_\_\_ TITLE: \_\_\_\_\_



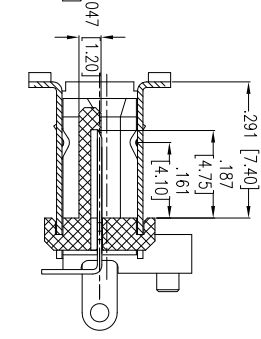
RECOMMENDED PCB LAYOUT



SECT A-A



SECT B-B



B

B

SPECIFICATIONS:

- Material: Insulator: LCP, rated UL 94V-0
- Insulator color: Black
- Contacts: Brass
- Plating: Gold Flash over Nickel underplate on contact area, Tin over Copper underplate on solder tails

Electrical:  
 Operating voltage: 100 VAC max  
 Current rating: 1.5 Amps max  
 Contact resistance: 30 mohms max  
 Insulation resistance: 1000 Mohms min @ 500 VDC  
 Dielectric withstanding voltage: 500 VAC for 1 minute  
 Temperature Rating:  
 Operating temperature: -55° C to +125° C  
 Environmental:  
 Lead free, RoHS compliant  
 Recommended soldering temp: 260° C for 5 seconds

A

A



| UNLESS OTHERWISE SPECIFIED     |              |
|--------------------------------|--------------|
| ALL DIMENSIONS ARE INCHES [MM] |              |
| TOLERANCES: EXCEPT AS NOTED    |              |
| INCHES                         | HILES        |
| .X ± .10                       | Ø.X ± .10    |
| .XX ± .020                     | Ø.XX ± .015  |
| .XXX ± .015                    | Ø.XXX ± .010 |
| APPROVALS                      | DATE         |
| DRAWN                          | DY           |
| CHECKED                        |              |
| APPROVED                       | 9/01/09      |

**ADAM TECH**  
 909 Rahway Avenue, Union, NJ 07083  
 Phone: 908-687-5000 Fax: 908-687-5710

TITLE: SATA CONNECTOR, 7PIN, STRAIGHT, SMT TYPE

| SIZE         | PART NO.         | REV.         |
|--------------|------------------|--------------|
| X            | SATA-W-NP-VT-SMT | -            |
| REF: S00078T | SCALE: NTS       | SHEET 1 OF 1 |

6

5

4

3

2

1