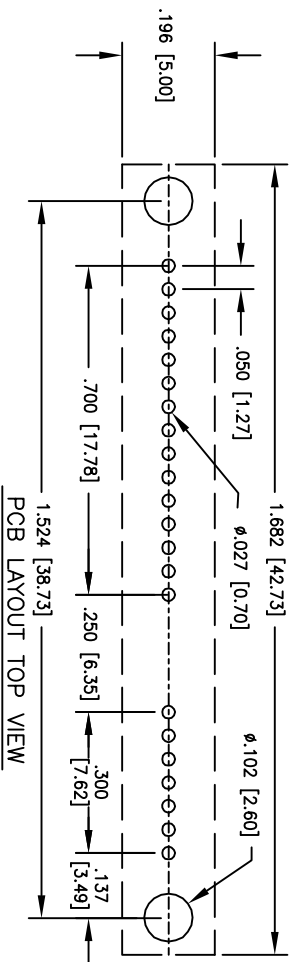
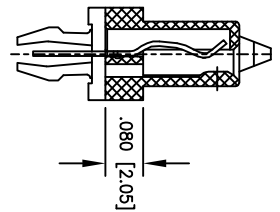
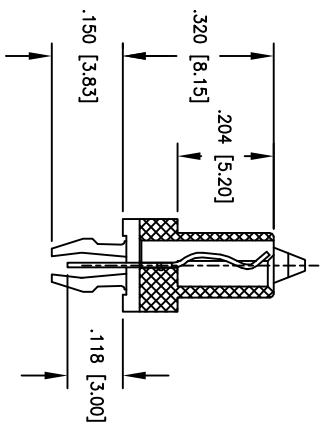
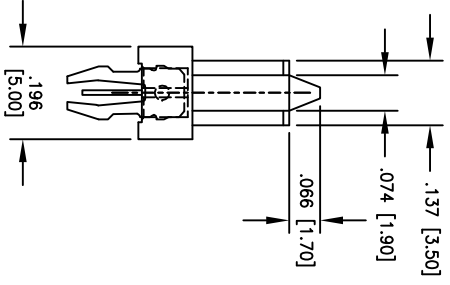
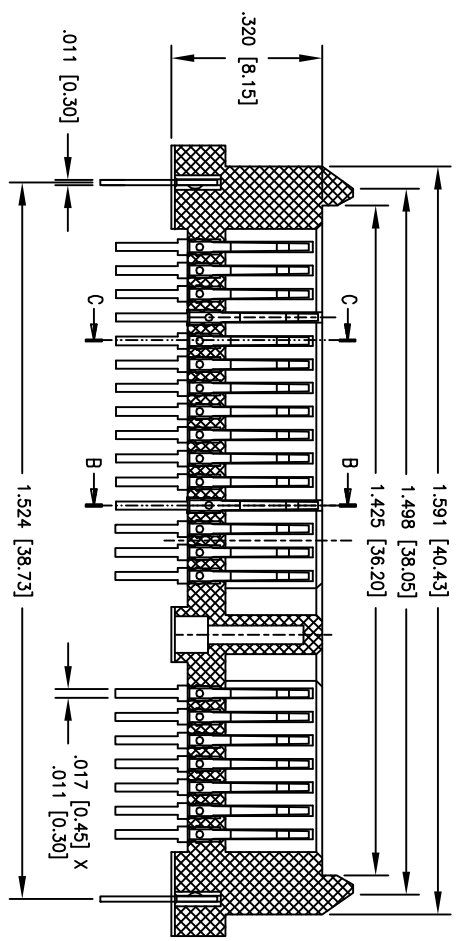
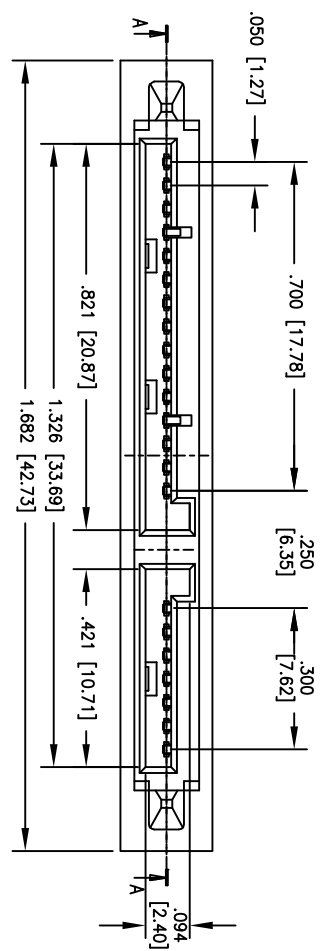


APPROVED: _____ DATE: _____ TITLE: _____

Rev	AWO #	Description	Date	Appr
-		RELEASED	12/11/06	
A		REVISED DIM.	9/03/09	



SPECIFICATIONS:

Material:
 Insulator: LCP, rated UL 94V-0
 Insulator color: Black
 Contacts: Phosphor Bronze
 Plating:
 Gold Flash over Nickel underplate on contact area,
 Tin over Copper underplate on solder tails

Electrical:
 Operating voltage: 100 VAC max
 Current rating: 1.5 Amps max
 Contact resistance: 30 mohms max
 Insulation resistance: 1,000 Mohms min @ 500 VDC
 Dielectric withstanding voltage: 500 VAC for 1 minute
 Temperature Rating:
 Operating temperature: -55°C to +125°C

Environmental:
 Lead free, RoHS compliant
 Recommended soldering temp: 260°C for 5 sec.



ADAM TECH

909 Railway Avenue, Union, NJ 07083
 Phone: 908-687-5000 Fax: 908-687-5710

TITLE: SATA 7+15P DIP SINGLE ROW TYPE
 FEMALE

UNLESS OTHERWISE SPECIFIED ALL DIMENSIONS ARE INCHES [MM] TOLERANCES: EXCEPT AS NOTED		INCHES		Holes	
.X	± .10	ØXX	± .10	ØXXX	± .015
.XX	± .020	ØXXX	± .015		
.XXX	± .015	ØXXX	± .010		
APPROVALS					
DRAWN	BW	DATE	12/11/06		
CHECKED					
APPROVED					
SIZE	PART NO.	SCALE	SHEET 1 OF 1		
X	SATA-N-PM-VT-02	MTS	A		