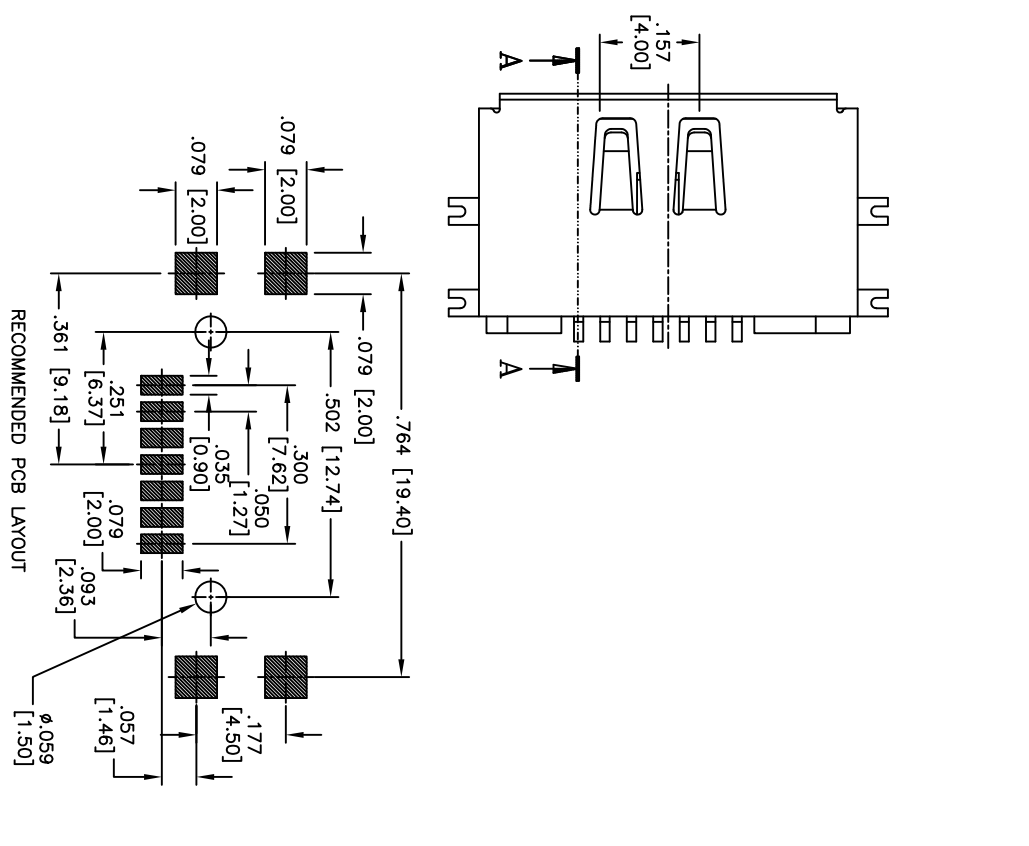
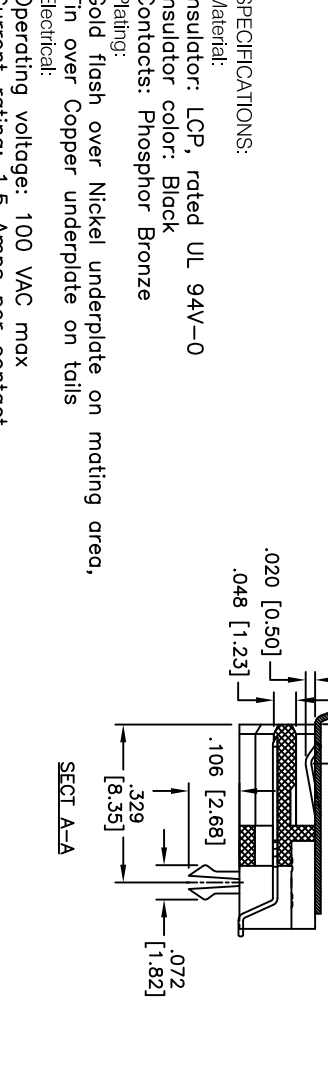
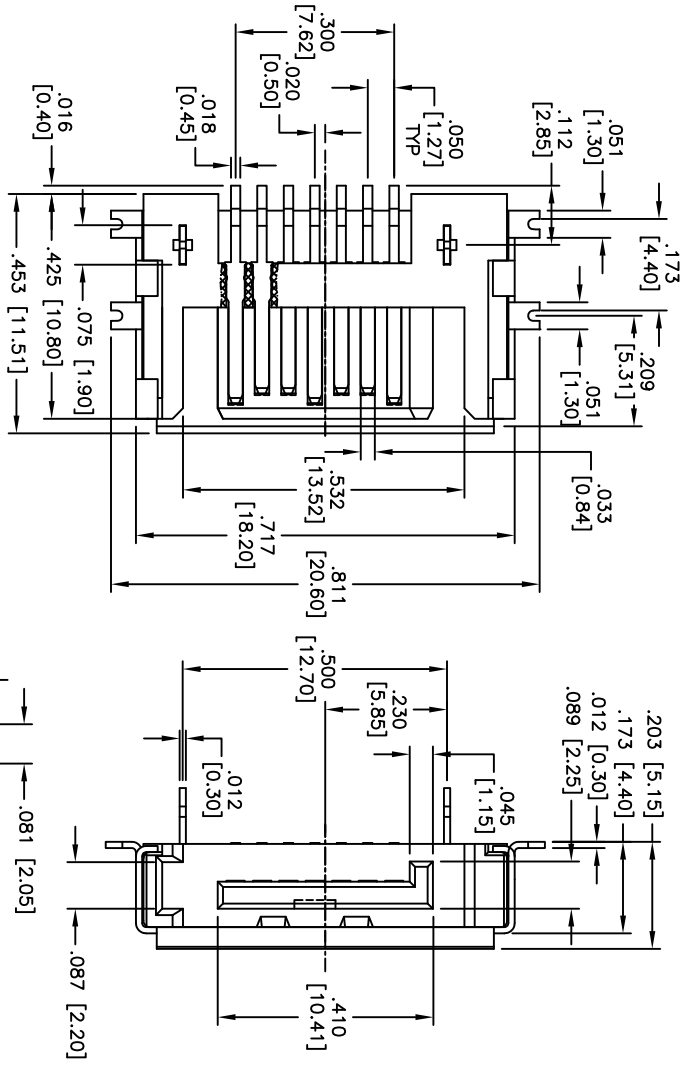


APPROVED: _____
 DATE: _____ TITLE: _____



SPECIFICATIONS:

Material:
 Insulator: LCP, rated UL 94V-0
 Insulator color: Black
 Contacts: Phosphor Bronze
 Plating:
 Gold flash over Nickel underplate on mating area,
 Tin over Copper underplate on tails
Electrical:
 Operating voltage: 100 VAC max
 Current rating: 1.5 Amps per contact
 Contact resistance: 30 mohms max
 Insulation resistance: 1,000 Mohms min
 Dielectric withstanding voltage: 500 VAC
Mechanical:
 Insertion force: 45N max.
 Withdrawal force: 10N min.
 Durability: 500 cycles
Temperature Rating:
 Operating temperature: -55°C to +125°C
Environmental:
 Lead free, RoHS compliant
 Recommended soldering temp: 260°C for 5 seconds



Rev	AWO #	Description	Date	Appr
-		RELEASED	12/10/07	
A		ADDED DIM.	6/03/11	

ADAM TECH

909 Rahway Avenue, Union, NJ 07083
 Phone: 908-687-5000 Fax: 908-687-5710

TITLE: SERIAL ATA CONNECTOR, TYPE B
 LEFT POLARIZATION, SURFACE MOUNT, KEY

UNLESS OTHERWISE SPECIFIED ALL DIMENSIONS ARE INCHES [MM] TOLERANCES: EXCEPT AS NOTED		INCHES		HOLDERS	
.X	± .10	ØX	± .10		
.XX	± .020	ØXXX	± .015		
.XXX	± .015	ØXXXX	± .010		
APPROVALS		DATE			
DRAWN	SS	12/10/07			
CHECKED					
APPROVED					
SIZE	PART NO.	TITLE			
X	SATA-B-PL-SMT-K-BL	SERIAL ATA CONNECTOR, TYPE B			
REF: S00078T	SCALE: NTS	SHEET 1 OF 1			