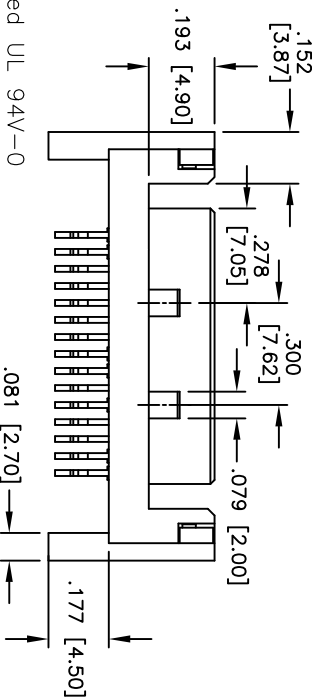
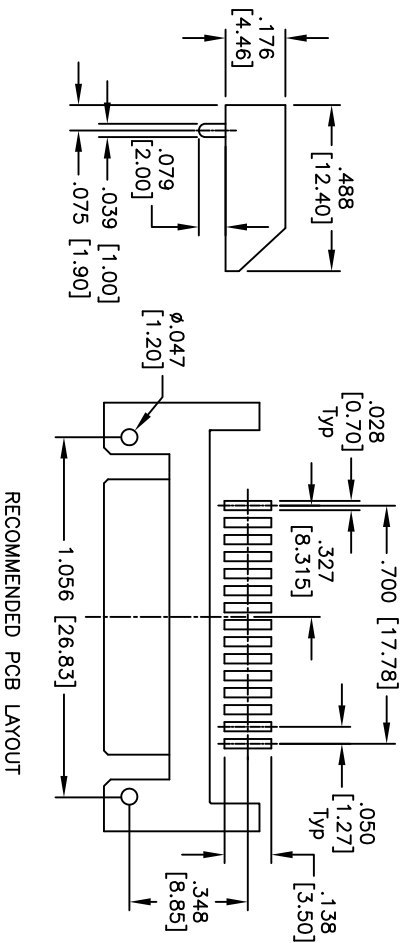
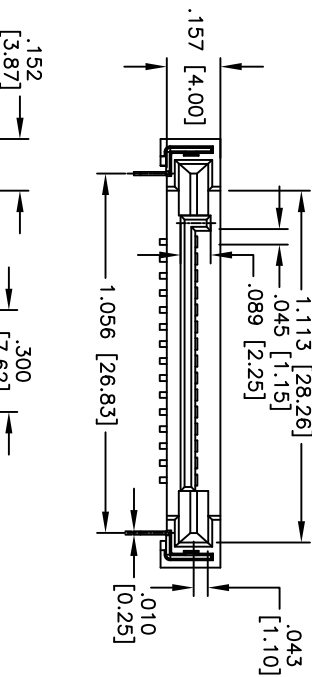
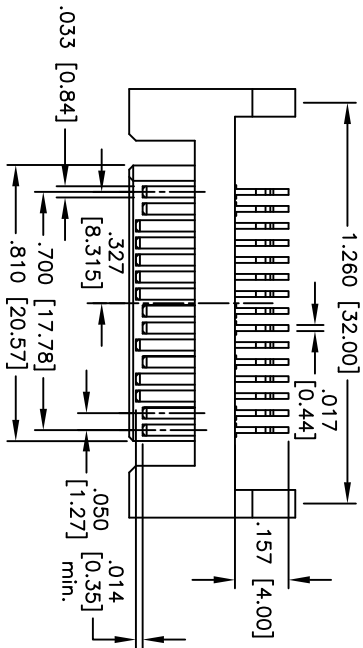


Rev	AWO #	Description	Date	Appr
-		RELEASED	5/05/10	

APPROVED: _____
 DATE: _____ TITLE: _____



SPECIFICATIONS:

Material:
 Insulator: LCP, rated UL 94V-0
 Insulator color: Black
Contacts: Brass

Plating:

Gold Flash over Nickel underplate on contact area,
 Tin over Copper underplate on solder tails

Electrical:

Current rating: 1.5 Amps per contact
 Contact resistance: 30 mohms max
 Insulation resistance: 1000 Mohms min
 Dielectric withstanding voltage: 500 VAC

Temperature Rating:

Operating temperature: -55°C to +125°C

Environmental:

Lead free, RoHS compliant
 Recommended soldering temp: 260°C for 5 seconds



UNLESS OTHERWISE SPECIFIED
 ALL DIMENSIONS ARE INCHES [MM]
 TOLERANCES: EXCEPT AS NOTED
 INCHES HOLES
 .X ±.10 ØXX ±.10
 .XX ±.020 ØXXX ±.015
 .XXX ±.015 ØXXXX ±.010

APPROVALS DATE

DRAWN DY 5/05/10

CHECKED

APPROVED

ADAM TECH

909 Railway Avenue, Union, NJ 07083
 Phone: 908-687-5000 Fax: 908-687-5710

TITLE: SATA CONNECTOR, 15PIN, MALE,
 RIGHT ANGLE, SMT TYPE

SIZE PART NO. X SAT-A5-PR-SMT

REF: S00154T SCALE: NTS SHEET 1 OF 1

A

B

C

D

6

5

4

3

2

1