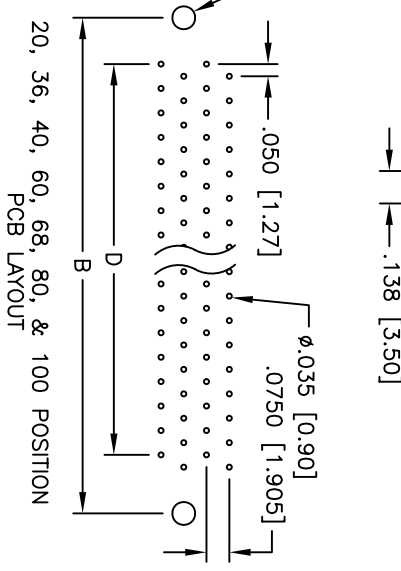
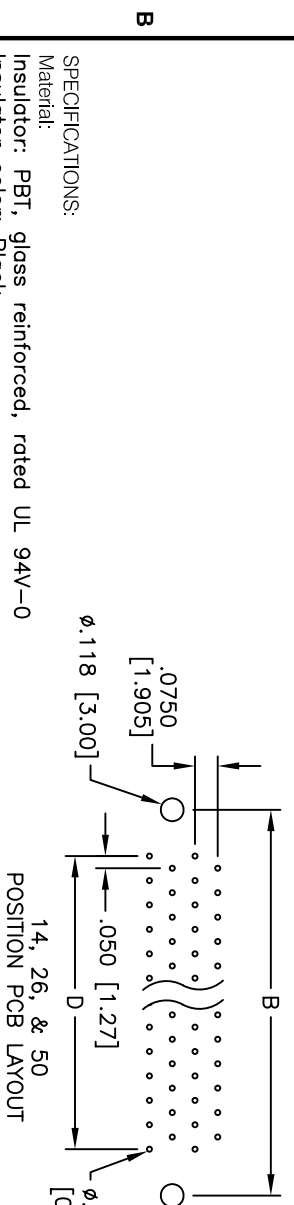
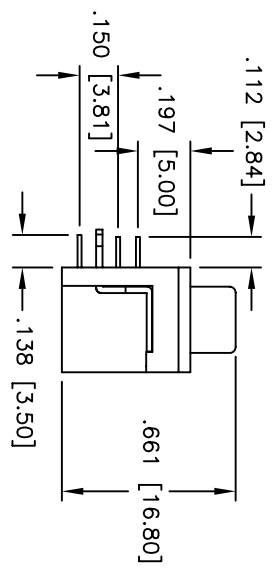
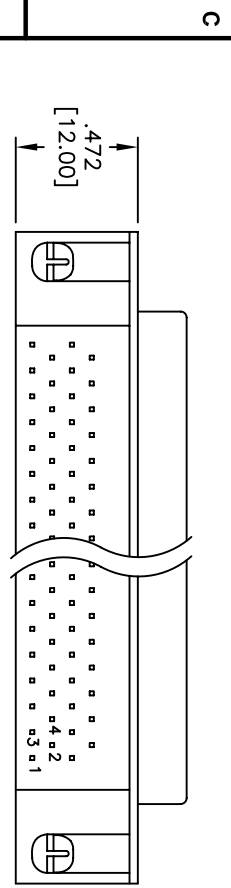
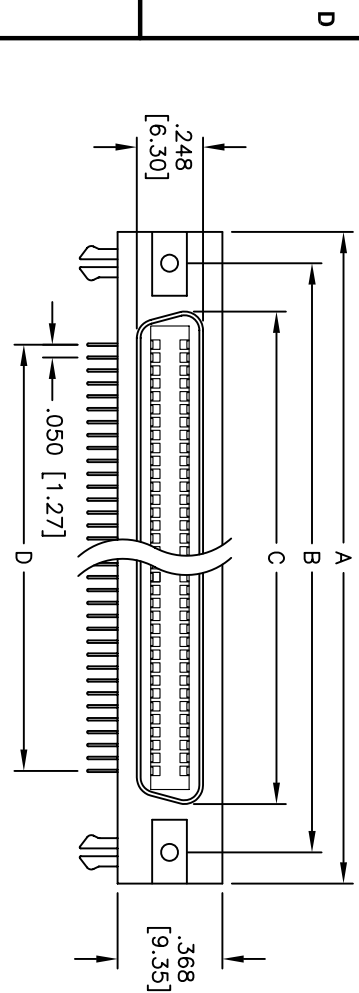


Rev	AWO #	Description	Date	Appr
-		RELEASED	5/20/05	

APPROVED: _____

DATE: _____ TITLE: _____

Positions	A	B	C	D
14	1.173 [29.79]	.931 [23.64]	.506 [12.84]	.300 [7.62]
20	1.323 [33.60]	1.081 [27.45]	.656 [16.65]	.450 [11.43]
26	1.473 [37.41]	1.231 [31.26]	.806 [20.46]	.600 [15.24]
36	1.723 [43.76]	1.480 [37.61]	1.056 [26.81]	.650 [16.51]
40	1.823 [46.30]	1.581 [40.15]	1.156 [29.35]	.950 [24.13]
50	2.073 [52.65]	1.831 [46.50]	1.456 [36.96]	1.200 [30.48]
60	2.323 [59.00]	2.081 [52.85]	1.656 [42.05]	1.450 [36.83]
68	2.551 [64.80]	2.281 [57.93]	1.856 [47.13]	1.650 [41.93]
80	2.823 [71.70]	2.581 [65.55]	2.156 [54.75]	1.950 [49.53]
100	3.323 [84.40]	3.081 [78.25]	2.656 [67.45]	2.450 [62.23]



14, 26, & 50 POSITION PCB LAYOUT

20, 36, 40, 60, 68, 80, & 100 POSITION PCB LAYOUT

SPECIFICATIONS:

- Material: Insulator: PBT, glass reinforced, rated UL 94V-0
- Insulator color: Black
- Contacts: Phosphor Bronze
- Shell: Steel, Nickel plated
- Plating: Gold flash over Nickel underplate on mating area, Tin over Copper underplate on tails

Electrical:

- Operating voltage: 250 VAC max
- Current rating: 1 Amp max
- Contact resistance: 30 mohms max
- Insulation resistance: 1,000 Mohms min
- Dielectric withstanding voltage: 1,000 VAC for 1 minute
- Temperature Rating: Operating temperature: -55°C to +105°C
- Environmental: Lead free, RoHS compliant
- Recommended soldering temp: 235°C for 5 seconds



ADAM TECH

909 Rahway Avenue, Union, NJ 07083
 Phone: 908-687-5000 Fax: 908-687-5710

TITLE: RIBBON CONNECTOR SOCKET, R/A
 BOARDLOCKS, M.2.6 MOUNTING HOLES

UNLESS OTHERWISE SPECIFIED ALL DIMENSIONS ARE INCHES [MM]	
TOLERANCES: EXCEPT AS NOTED	
INCHES	HOLES
.X ± .10	ØXX ± .10
.XX ± .020	ØXXX ± .015
.XXX ± .015	ØXXXX ± .010
APPROVALS	DATE
DRAWN	SS
CHECKED	5/20/05
APPROVED	

SIZE	PART NO.	REV.
X	S2B-SR-XX-2-BL-3	-
REF:	SCALE: NTS	SHEET 1 OF 1