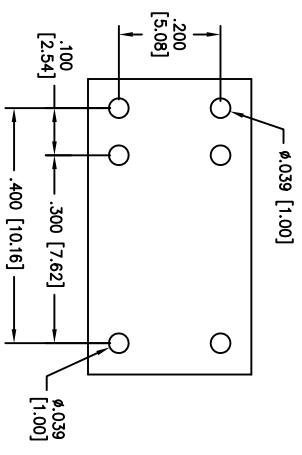
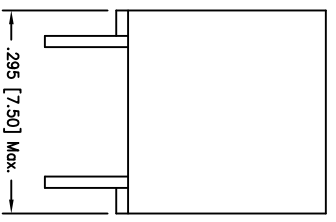
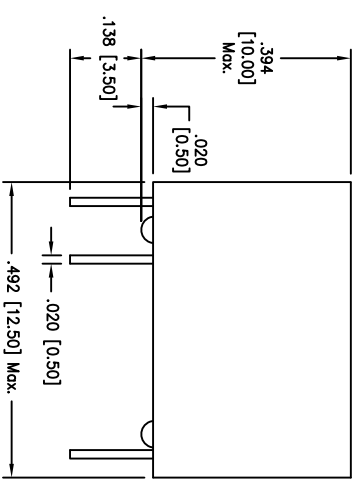
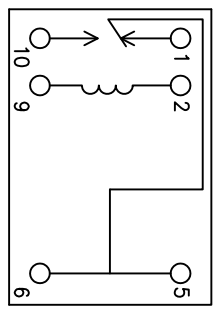


Rev	AWO #	Description	Date	Appr
-		RELEASED	5/04/11	

APPROVED: \_\_\_\_\_ TITLE: \_\_\_\_\_  
 DATE: \_\_\_\_\_



RECOMMENDED MOUNTING HOLES



WIRING DIAGRAM  
(Bottom View)

1 FORM C

PART NO.	RT6-1C-5V
Rated Voltage (V DC)	5VDC
Rated Current (mA)	40mA
Power consumption (W)	0.2W APPROX.
Maximum voltage	150 Max.
Must Drop-out Voltage	10 Min.
Must Operate Voltage	80 Max.
Coil Resistance	125 $\Omega$

**SPECIFICATIONS:**

**Electrical:**

- Contact arrangement: SPDT (1FormC)
- Contact material: Silver Alloy
- Contact Rating (Resistive load): 0.5A 125VAC/1A 30VDC
- Switching Voltage: AC125VAC/DC60V Max.
- Switching Current: 1A Max.
- Switching Capacity: 62.5VA/30W
- Contact resistance: 100 m $\Omega$  max. @ 1A 6V DC
- Insulation resistance: 1000 M $\Omega$  min. @ 500V DC
- Dielectric Strength:
- Between open contact: 400VAC (50Hz/min)
- Between Coil & Contact: 1000VAC (50Hz/min)
- Operating time: 5ms max. Release time: 5ms max.
- Electrical Life: 100,000

**Mechanical:**

- Vibration resistance (Endurance): 3.3mm D.A. 10-55HZ
- Shock resistance: 100m/s<sup>2</sup> 11ms
- Temperature Rating: Ambient temperature: -30°C to +70°C
- Environmental:
- Lead free, RoHS compliant

Recommended soldering temp: 235°C for 5 sec.  
 Packaging: Anti-ESD plastic trays  
 Safety Agency Approvals: cUL Recognized File No. E305638

**ADAM TECH**

909 Rahway Avenue, Union, NJ 07083  
 Phone: 908-687-5000 Fax: 908-687-5710

POWER RELAY, 1 FORM C, 5VDC

UNLESS OTHERWISE SPECIFIED ALL DIMENSIONS ARE INCHES [MM]		TOLERANCES: EXCEPT AS NOTED	
INCHES	HOLES	INCHES	HOLES
.X	$\pm .10$	$\phi$ X	$\pm .10$
.XX	$\pm .020$	$\phi$ XX	$\pm .015$
.XXX	$\pm .015$	$\phi$ XXX	$\pm .010$

APPROVALS	DATE
DRAWN DY	5/04/11
CHECKED	
APPROVED	

SIZE	PART NO.	REV.
X	RT6-1C-5V	-

REF:	SCALE:	SHEET	1 OF
S00027C	NIS	1	1

