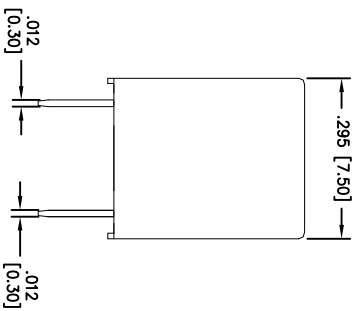
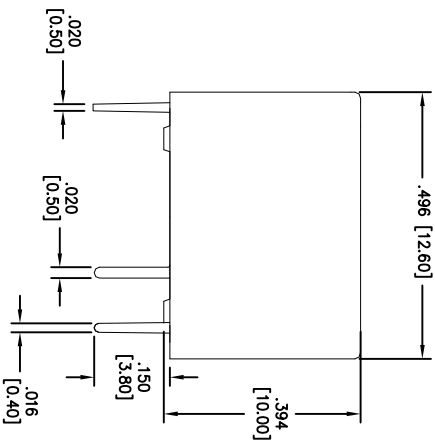
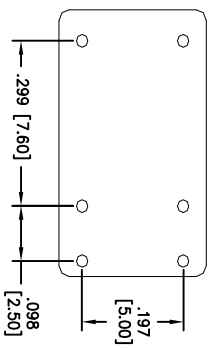


Rev	AWO #	Description	Date	Appr
-		RELEASED	11/3/10	

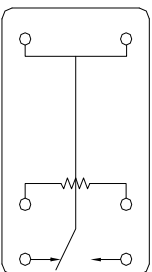
APPROVED: _____
 DATE: _____ TITLE: _____



RECOMMENDED MOUNTING HOLES



WIRING DIAGRAM
(Bottom View)



1 FORM C

SPECIFICATIONS:

Electrical:

- Contact configuration: SPDT (1FormC)
- Contact material: Silver Alloy
- Contact capacity: 1A 125VAC/1A 24VDC
- Rated voltage: 120VDC.
- Nominal current: 16.7mA.
- Rated power consumption: 0.2W
- Contact resistance: 50 mΩ max. @ 1A 6V DC
- Insulation resistance: 500 MΩ min. @ 500V DC
- Dielectric Strength:

- Between open contact: 500VAC (50/60Hz/min)
- Between Coil & Contact: 750VAC (50/60Hz/min)
- Operating time: 10ms max. Release time: 3ms max.
- Electrical Life: 100,000

Mechanical:

- Vibration resistance (Endurance): 1.5mm D.A. 10-55HZ
- Shock resistance: 98.1m/s² 11ms
- Mechanical Life: 10,000,000
- Temperature Rating:
- Ambient temperature: -40°C to +85°C
- Environmental:
- Lead free, RoHS compliant
- Recommended soldering temp: 235°C for 5 sec.



UNLESS OTHERWISE SPECIFIED
 ALL DIMENSIONS ARE INCHES [MM]
 TOLERANCES: EXCEPT AS NOTED
 INCHES HOLES
 .X ± .10 ØX ± .10
 .XX ± .020 ØXX ± .015
 .XXX ± .015 ØXXX ± .010

APPROVALS	DATE
AY	11/3/10

DRAWN	AY	11/3/10
CHECKED	VW	11/3/10
APPROVED		

ADAM TECH
 909 Railway Avenue, Union, NJ 07083
 Phone: 908-687-5000 Fax: 908-687-5710

POWER RELAY, 1 FORM C, 12VDC

SIZE	PART NO.	REV.
X	RT6-1C-12V	-

REF: S00008C SCALE: NTS SHEET 1 OF 1