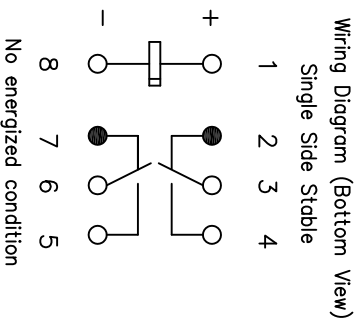
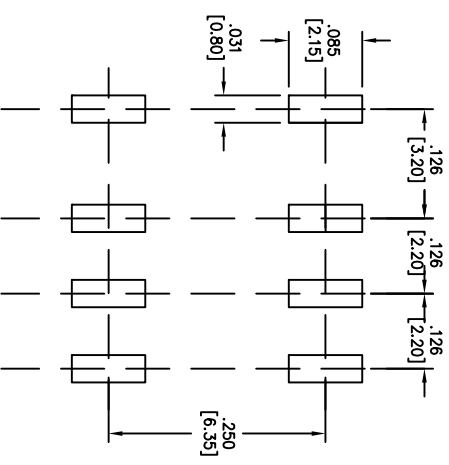
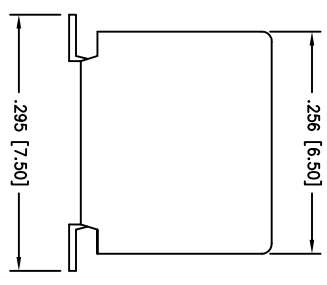
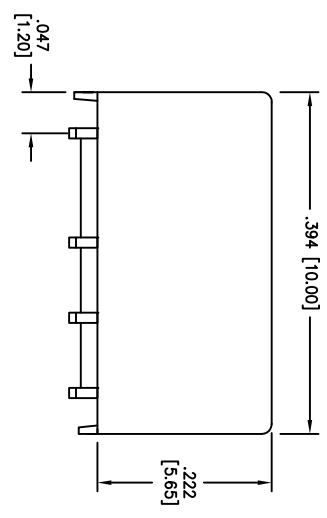


Rev	AWO #	Description	Date	Appr
-		RELEASED	8/26/09	

APPROVED: _____
 DATE: _____ TITLE: _____



RECOMMENDED
PCB LAYOUT

PART NO.	RT4-3-SMT
Rated voltage (V DC)	3VDC
Power consumption (W)	0.14W APPROX.
Maximum voltage	4.5 Max.
Must release voltage	0.3 Min.
Must operate voltage	2.25 Max.
Coil Resistance	64.3Ω

SPECIFICATIONS:

Electrical:

Contact arrangement: DPDT (2 FORM C)
 Contact material: Silver Alloy
 Contact Resistance: 70mΩ

Contact Rating (Resistive load): 0.5A 125VAC / 2A 30VDC

Switching Voltage: AC250VAC / DC220V Max.
 Switching Current: 2A Max.

Switching Power: 62.5VA/60W

Insulation resistance: 1000 MΩ min. @ 500V DC

Dielectric Strength:

1000VAC(50Hz/min)Between open contacts
 1800VAC(50Hz/min)Between coil and contact

Operate time: 3ms max. Release time: 3ms max.

Electrical Life: 100,000

Mechanical:

Vibration resistance: (Functional) 3.5mm D.A. 10-55HZ
 (Destructive) 5.0mm D.A. 10-55HZ

Shock resistance: (Functional) 775m/s² (11ms)
 (Destructive) 980m/s² (11ms)

Mechanical Life: 100,000,000

Temperature Range: -40°C to +85°C

Environmental:

Lead free, RoHS compliant

Safety Agency Approvals: cUL Recognized File No. E305638

ADAM TECH

909 Rahway Avenue, Union, NJ 07083
 Phone: 908-687-5000 Fax: 908-687-5710

TITLE
 RELAY, SMT TYPE, PIN TO PIN 7.5MM, DC3V

UNLESS OTHERWISE SPECIFIED
 ALL DIMENSIONS ARE INCHES [MM]
 TOLERANCES: EXCEPT AS NOTED

INCHES	HOLES
.X ± .10	ØX ± .10
.XX ± .020	ØXXX ± .015
.XXX ± .015	ØXXXX ± .010

APPROVALS	DATE
DRAWN DY	8/26/09
CHECKED	
APPROVED	

SIZE	PART NO.	REV.
X	RT4-3-SMT	-

REF: S0027C SCALE: NTS SHEET 1 OF 1



6

5

4

3

2

1