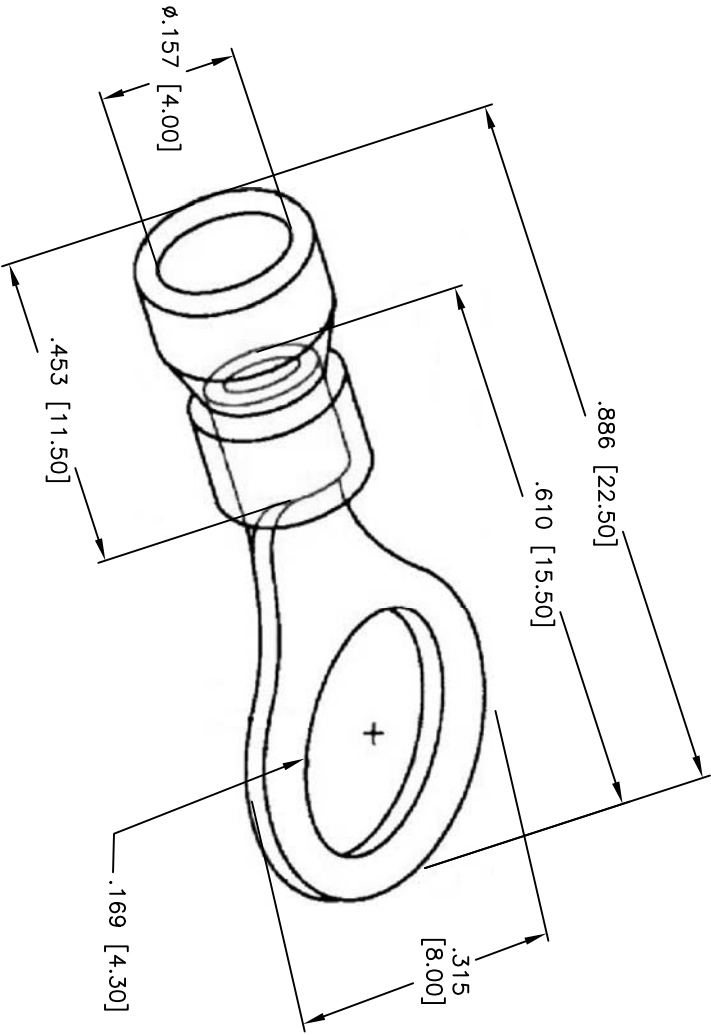


Rev	AWO #	Description	Date	Appr
-		RELEASED	4/12/10	

APPROVED: _____
 DATE: _____ TITLE: _____



SPECIFICATIONS:

Terminal: Brass, Matt Tin plated
 Thickness: 0.8mm
 Environmental:
 Lead free, RoHS compliant.



UNLESS OTHERWISE SPECIFIED ALL DIMENSIONS ARE INCHES [MM]	
TOLERANCES: EXCEPT AS NOTED	
INCHES	HOLDS
.X ± .10	ØX ± .10
.XX ± .020	ØXX ± .015
.XXX ± .015	ØXXX ± .010
APPROVALS	DATE
DRAWN	DY
CHECKED	
APPROVED	

ADAM TECH
 909 Rahway Avenue, Union, NJ 07083
 Phone: 908-687-5000 Fax: 908-687-5710

TITLE: .169" RING TERMINAL, WITH INSULATED

SIZE	PART NO.	REV.
X	RT-.169-.315-.157-DC-T	-
REF: S0015T	SCALE: NTS	SHEET 1 OF 1

6 5 4 3 2 1