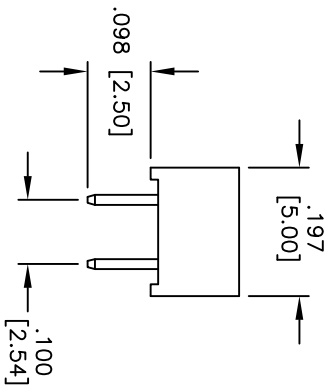
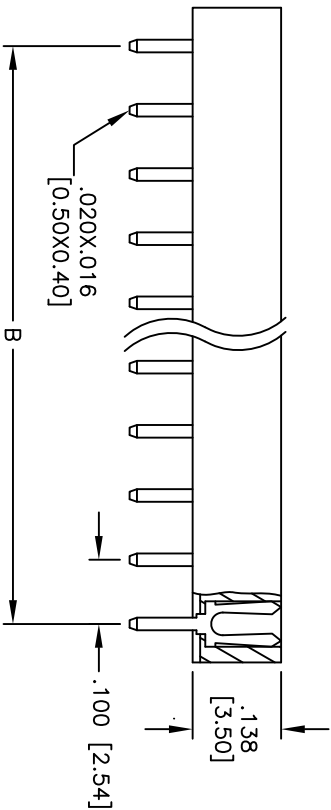
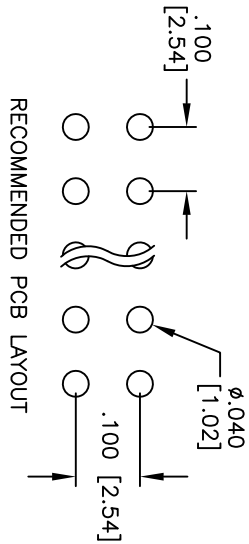
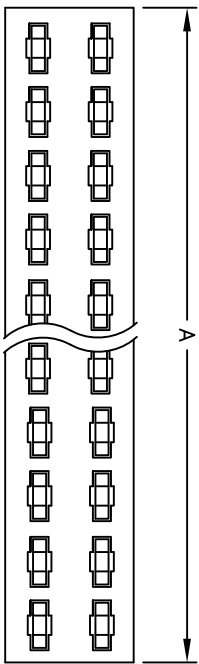


APPROVED: _____
 DATE: _____ TITLE: _____

Rev	AWO #	Description	Date	Appr
-		RELEASED	5/31/05	
A		REDRAWN	6/30/10	



A = .100 [2.54] x No. of Positions per Row + .020 [0.50]
 B = .100 [2.54] x No. of Spaces

SPECIFICATIONS:

- Material: Insulator: PBT, rated UL 94V-0
- Insulator color: Black
- Contacts: Phosphor Bronze
- Plating: Gold flash over Nickel underplate overall
- Electrical: Current rating: 3 Amps
- Contact resistance: 20 mohms max.
- Insulation resistance: 1,000 Mohms min.
- Dielectric withstanding voltage: AC 600V
- Temperature Rating: Operating temperature: -40°C to +105°C
- Environmental: Lead free, RoHS compliant
- Recommended soldering temp: 235°C for 5 seconds



ADAM TECH

909 Rahway Avenue, Union, NJ 07083
 Phone: 908-687-5000 Fax: 908-687-5710

TITLE: .100 x .100 DUAL ROW RECEPTACLE STRIP
 VERY LOW PROFILE, .138 [3.50] HEIGHT

UNLESS OTHERWISE SPECIFIED ALL DIMENSIONS ARE IN INCHES [MM]		TOLERANCES: EXCEPT AS NOTED	
INCHES		HOLES	
.X	± .10	Ø.X	± .10
.XX	± .020	Ø.XX	± .015
.XXX	± .015	Ø.XXX	± .010
APPROVALS	DATE	DATE	
DRAWN	SS	5/31/05	
CHECKED			
APPROVED			
SIZE	PART NO.	REF: S00039T	SCALE: NTS
X	RSVL-2A-XX-G		
REV.		SHEET 1 OF 1	
A			