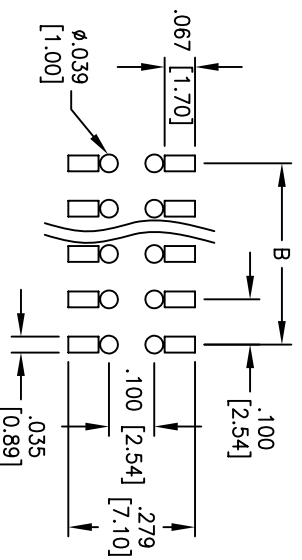
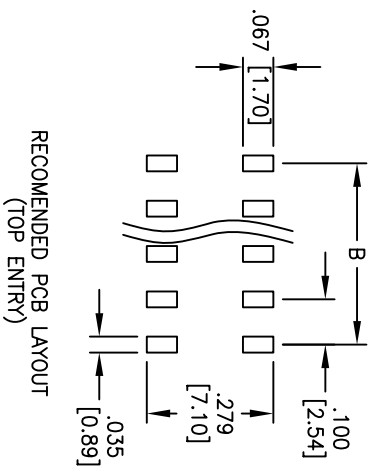
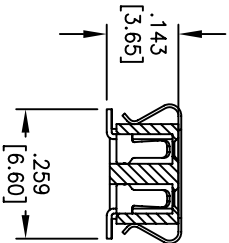
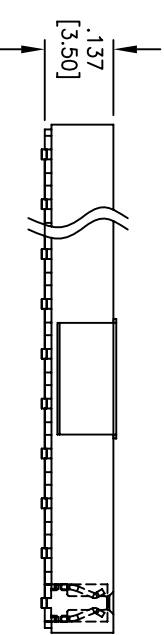
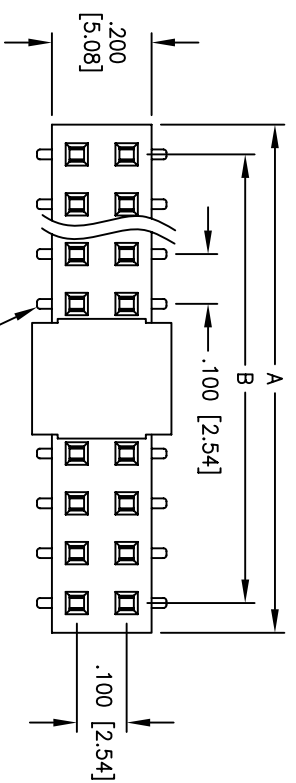


Rev	AW/O #	Description	Date	Appr
-		RELEASED	9/21/06	

APPROVED: \_\_\_\_\_ TITLE: \_\_\_\_\_  
 DATE: \_\_\_\_\_



A = .100 [2.54] X No. of Positions/row + .019 [0.50]  
 B = .100 [2.54] X No. of Spaces

RECOMMENDED PCB LAYOUT  
 (BOTTOM ENTRY)

RECOMMENDED PCB LAYOUT  
 (TOP ENTRY)

**SPECIFICATIONS:**  
**Material:**  
 Insulator: Nylon 6T, Glass reinforced, rated UL 94V-0  
 Insulator color: Black  
 Contacts: Phosphor Bronze  
 Plating:  
 Gold Flash over nickel underplate overall  
**Electrical:**  
 Operating voltage: 250 VAC max.  
 Current rating: 3 Amps max.  
 Contact resistance: 20 mohms max. initial  
 Insulation resistance: 5,000 Mohms min.  
 Dielectric withstanding voltage: 1,000 VAC for 1 minute  
**Temperature Rating:**  
 Operating temperature: -40°C to +105°C  
**Environmental:**  
 Lead free, RoHS compliant.  
 Recommended soldering temp: 260°C for 5 sec.



UNLESS OTHERWISE SPECIFIED ALL DIMENSIONS ARE INCHES [MM] TOLERANCES: EXCEPT AS NOTED INCHES	
.X ± .10	ØXX ± .10
.XX ± .020	ØXX ± .015
.XXX ± .015	ØXXX ± .010
APPROVALS	DATE
DRAWN SS	9/21/06
CHECKED	
APPROVED	

**ADAM TECH**  
 909 Railway Avenue, Union, NJ 07083  
 Phone: 908-687-5000 Fax: 908-687-5710

TITLE: RECEPTACLE STRIP, VERY LOW PROFILE,  
 DUAL ROW, SURFACE MOUNT

SIZE X	PART NO. RSVL-2A-XX-G-SMT-PP	REV. -
REF.	SCALE: NTS	SHEET 1 OF 1