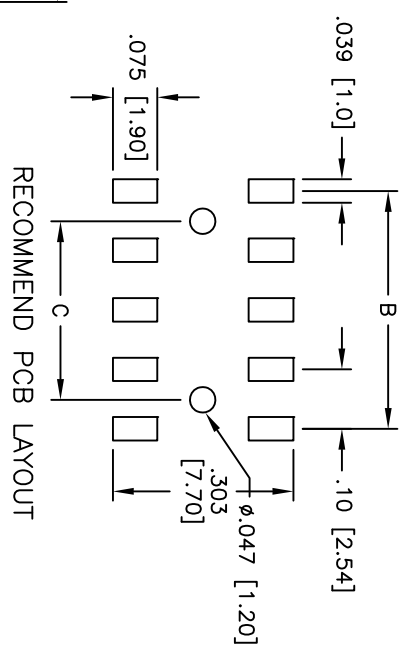
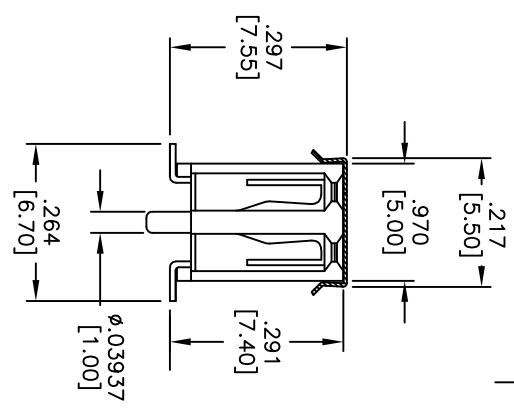
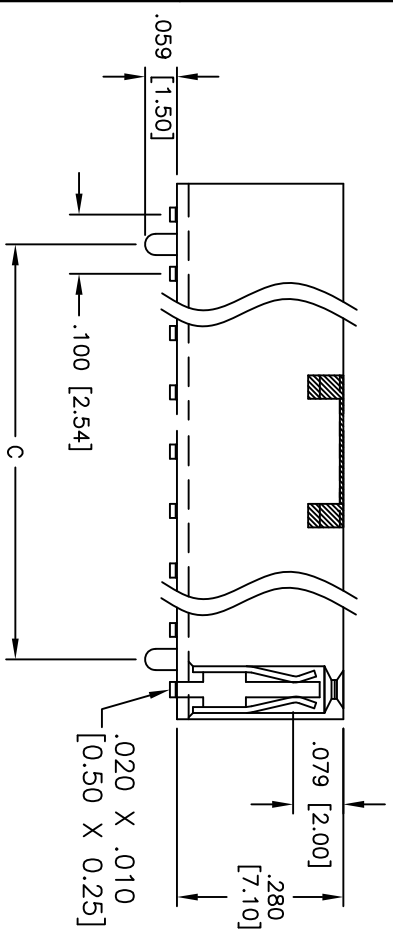
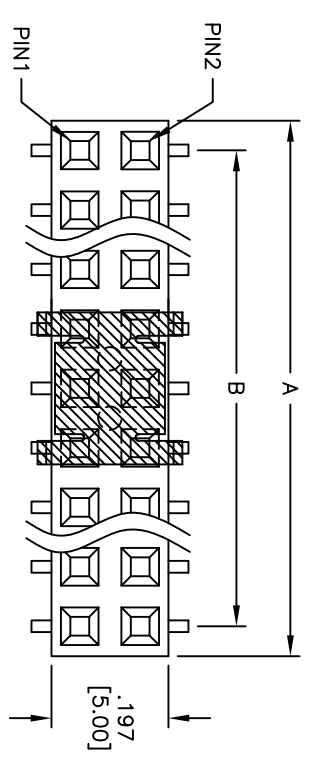


Rev	AWO #	Description	Date	Appr
-		RELEASED	7/22/10	

APPROVED: \_\_\_\_\_ TITLE: \_\_\_\_\_  
 DATE: \_\_\_\_\_



PACKAGED ON TP4E & REEL

Positions: 02 thru 80  
 A=.100 [2.54]X No. of Positions  
 B=.100 [2.54]X No. of Spaces  
 C=.100 [2.54]X No. of Spaces -1

**SPECIFICATIONS:**

Material: Nylon 6T, rated UL 94V-0

Insulator color: Black

Contacts: Phosphor Bronze

Plating:

10u" Gold over Nickel underplate on contact area, Tin over Copper underplate on SMT tails

Electrical:

Operating voltage: 250 VAC max

Contact rating: 3 Amps max

Insulation resistance: 20 mohms max

Dielectric withstanding voltage: 500 VAC for 1 minute

Temperature Rating:

Operating temperature: -40°C to +125°C

Environmental:

Lead free, RoHS compliant.  
 Recommended soldering temp: 260°C for 5 sec.



UNLESS OTHERWISE SPECIFIED ALL DIMENSIONS ARE INCHES [MM] TOLERANCES: EXCEPT AS NOTED INCHES		HOLDS	
X	± .10	ØX	± .10
.XX	± .020	ØXX	± .015
.XXX	± .015	ØXXX	± .010
APPROVALS	DATE		
DRAWN AY	7/22/10		
CHECKED AH	7/22/10		
APPROVED			

<b>ADAM TECH</b>		909 Railway Avenue, Union, NJ 07083	
Phone: 908-687-5000 Fax: 908-687-5710			
TITLE: .100 X .100 DUAL ROW FEMALE HEADER SMT, 10u" SG PLATED, LOCATING PEGS		PART NO. RSM2-XX-SG-SMT-10-P-PP-T/R	
SIZE X	SCALE: NTS	SHEET 1 OF 1	REV.