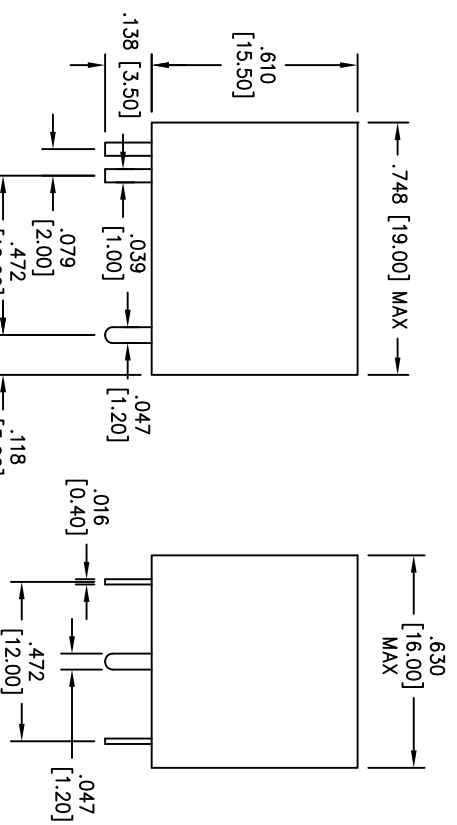


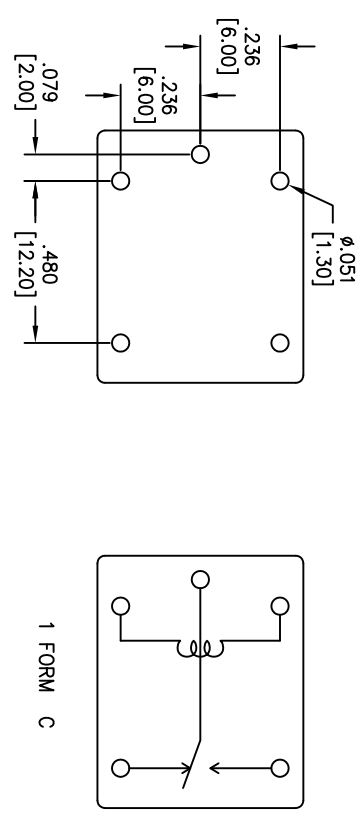
Rev	AWO #	Description	Date	Appr
-		RELEASED	9/20/10	

APPROVED: _____
 DATE: _____ TITLE: _____

RECOMMENDED MOUNTING HOLES



WIRING DIAGRAM
(Bottom View)



SPECIFICATIONS:

Electrical:

- Contact arrangement: SPDT (1FormC)
- Contact material: Silver Alloy
- Contact Rating (Resistive load): 20A 16VDC
- Switching Voltage: DC75V Max.
- Contact resistance: 50 mΩ max.
- Insulation resistance: 250 MΩ min. @ 500V DC
- Dielectric Strength:
- Between open contact: 500VAC (50Hz/min)
- Between Coil & Contact: 500VAC (50Hz/min)
- Operating time: 10ms max. Release time: 5ms max.
- Electrical Life: 100,000 (at rated load)

Mechanical:

- Vibration resistance: 1.5mm Double Amplitude 10-55Hz
- Mechanical Life: 10,000,000
- Temperature Rating: Ambient temperature: -40°C to +105°C

Environmental:

- Lead free, RoHS compliant
- Recommended soldering temp: 235°C for 5 sec.
- Packaging: Anti-ESD plastic trays
- Safety Agency Approvals: cUL Recognized File No. E305638

PART NO.	Rated Voltage	Rated Current	Coil Resistance	Must Operate Voltage	Must Dropout Voltage	Max Voltage	Power Consumption
RSC-A-1C-6-S	6VDC	107mA	56Ω	65 Max.	5 Max.	130	0.64W Approx
RSC-A-1C-12-S	12VDC	53.5mA	225Ω				
RSC-A-1C-24-S	24VDC	26.7mA	900Ω				

UNLESS OTHERWISE SPECIFIED
 ALL DIMENSIONS ARE INCHES [MM]
 TOLERANCES: EXCEPT AS NOTED
 INCHES HOLES
 .X ±.10 ØX ±.10
 .XX ±.020 ØXX ±.015
 .XXX ±.015 ØXXX ±.010

ADAM TECH
 909 Railway Avenue, Union, NJ 07083
 Phone: 908-687-5000 Fax: 908-687-5710

RELAY, 1 FORM C, SEALED TYPE

APPROVALS	DATE	SIZE	PART NO.	REV.
DRAWN	DY		RSC-A-1C-XS	
CHECKED				
APPROVED				

