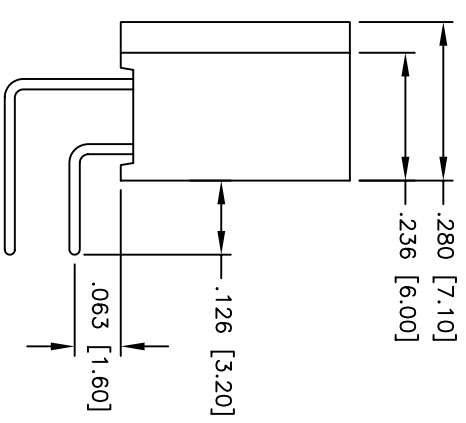
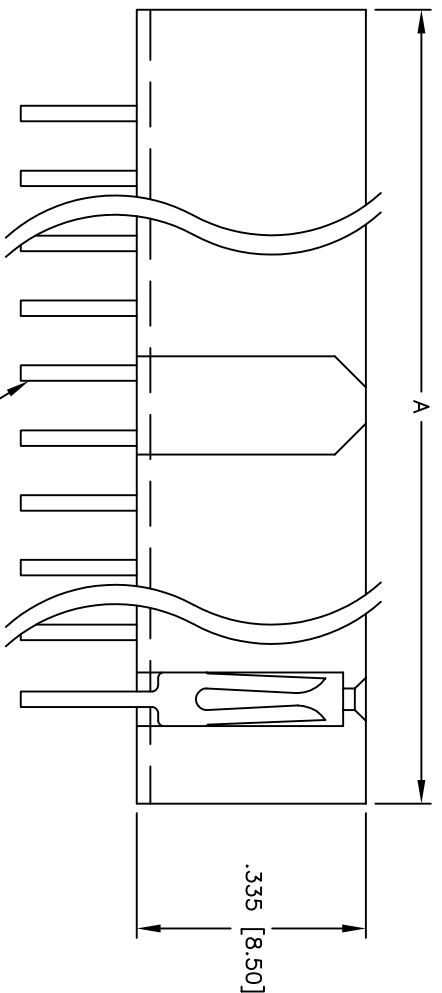
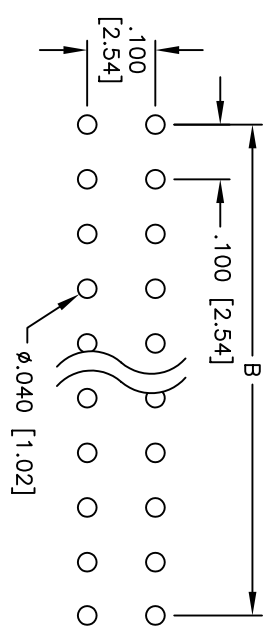
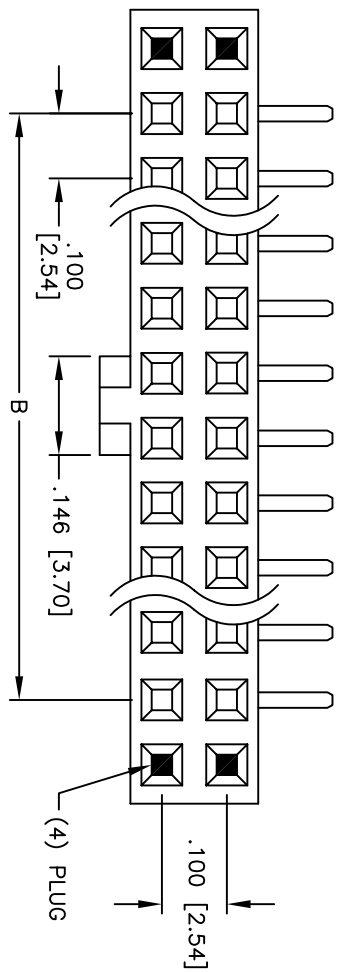


Rev	AWO #	Description	Date	Appr
-		RELEASED	6/1/05	

APPROVED: \_\_\_\_\_  
 DATE: \_\_\_\_\_ TITLE: \_\_\_\_\_



SPECIFICATIONS:  
 Material: PBT, glass reinforced, rated UL 94V-0  
 Insulator color: Black  
 Contacts: Phosphor Bronze  
 Plating: Gold flash over Nickel underplate overall

Electrical:  
 Operating voltage: 250 VAC max.  
 Current rating: 5 Amps max.  
 Contact resistance: 20 mohms max. initial  
 Insulation resistance: 5,000 Mohms min.  
 Dielectric withstanding voltage: 1,000 VAC for 1 minute  
 Temperature Rating:  
 Operating temperature: -40°C to +105°C  
 Environmental:  
 Lead free, RoHS compliant  
 Recommended soldering temp: 235°C for 5 seconds

Positions: 06 thru 60  
 A = .100 [2.54] x No. of Positions per Row - .003 [0.08]  
 B = .100 [2.54] x No. of Spaces

UNLESS OTHERWISE SPECIFIED  
 ALL DIMENSIONS ARE INCHES [MM]  
 TOLERANCES: EXCEPT AS NOTED

INCHES	HOLES
.X ± .10	ØXX ± .10
.XX ± .020	ØXXX ± .015
.XXX ± .015	ØXXX ± .010

APPROVALS

DATE	DATE
SS	6/1/05

DRAWN	SS	6/1/05
CHECKED		
APPROVED		

**ADAM TECH**  
 909 Rahway Avenue, Union, NJ 07083  
 Phone: 908-687-5000 Fax: 908-687-5710

TITLE: .100 x .100 DUAL ROW RECEPTACLE STRIP  
 .335 [8.50] HEIGHT, KEYPED CORNER CONTACTS

SIZE: X  
 PART NO.: RSRB-XX-G  
 SCALE: NTS  
 SHEET 1 OF 1