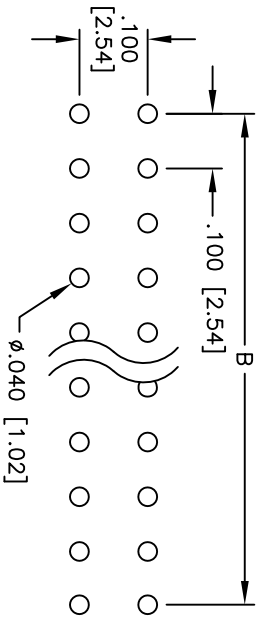
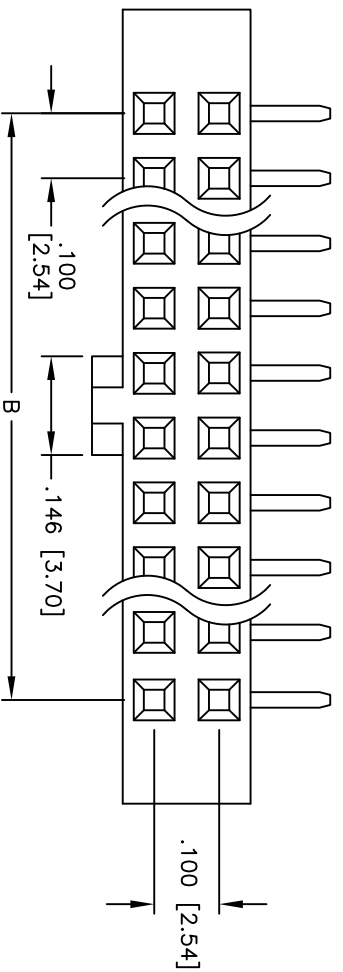
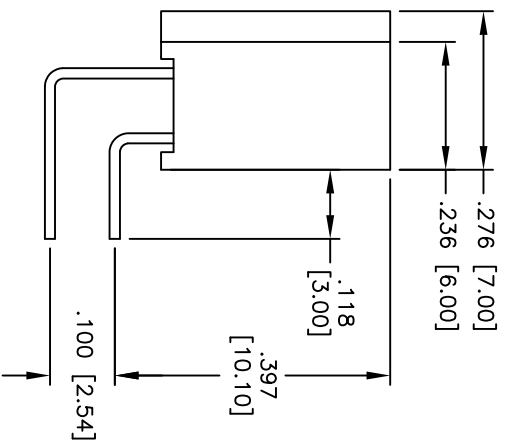
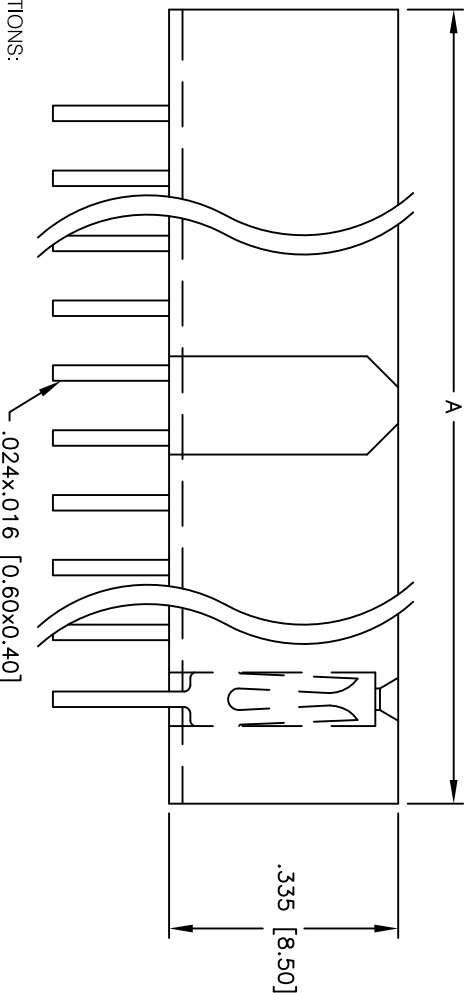


Rev	AWO #	Description	Date	Appr
-		RELEASED	1/5/11	

APPROVED: _____
 DATE: _____ TITLE: _____



RECOMMENDED PCB LAYOUT



SPECIFICATIONS:
 Material: Insulator: Hi-temp thermoplastic, rated UL 94V-0
 Insulator color: Black
 Contacts: Phosphor Bronze
 Plating: Gold flash over Nickel underplate overall

Positions: 06 thru 72
 A = .100 [2.54] x No. of Spaces + .292 [7.42]
 B = .100 [2.54] x No. of Spaces

Electrical:
 Operating voltage: 250 VAC max.
 Current rating: 3 Amps max.
 Contact resistance: 20 mohms max. initial
 Insulation resistance: 1000 MW min.
 Dielectric withstanding voltage: 600 VAC for 1 minute
 Temperature Rating:
 Operating temperature: -40°C to +105°C
 Environmental:
 Lead free, RoHS compliant
 Recommended soldering temp: 260°C for 5 seconds



UNLESS OTHERWISE SPECIFIED ALL DIMENSIONS ARE INCHES [MM]	
TOLERANCES: EXCEPT AS NOTED	
INCHES	HOLDS
.X ± .10	ØXX ± .10
.XX ± .020	ØXXX ± .015
.XXX ± .015	ØXXXX ± .010
APPROVALS	DATE
DRAWN AY	1/5/11
CHECKED VW	1/5/11
APPROVED	

ADAM TECH
 909 Rahway Avenue, Union, NJ 07083
 Phone: 908-687-5000 Fax: 908-687-5710

TITLE: .100 x .100 DUAL ROW FEMALE HEADER
 .335 [8.50] HEIGHT, POLARIZING BUMP

SIZE: X
 PART NO.: RSBR-XX-G-HT
 REF: S00032T
 SCALE: NTS
 SHEET 1 OF 1