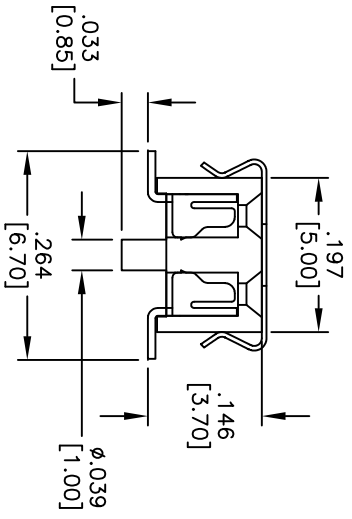
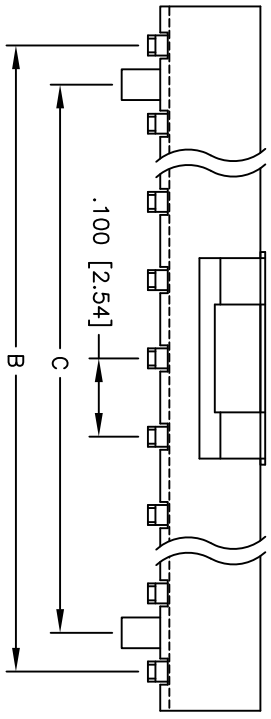
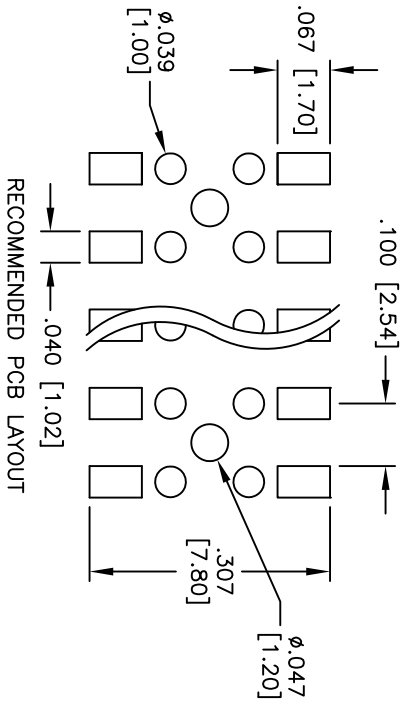
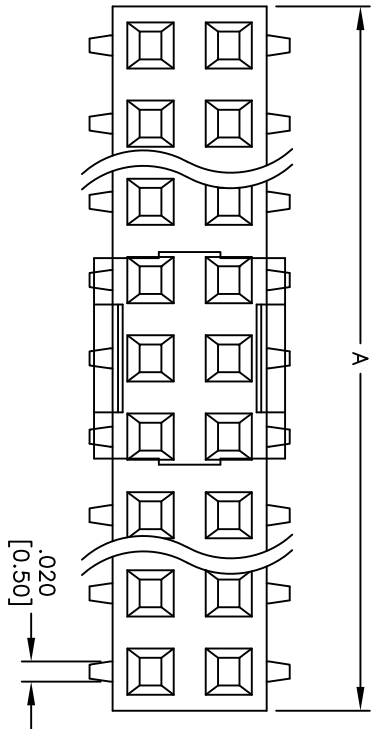


Rev	AWO #	Description	Date	Appr
-		RELEASED	9/23/10	

APPROVED: _____
 DATE: _____ TITLE: _____



SPECIFICATIONS:
 Material: _____
 Insulator: Nylon 6T, rated UL 94V-0
 Insulator color: Black
 Contacts: Phosphor Bronze
 Plating: _____
 Gold flash over Nickel underplate on contact area,
 Tin over Copper underplate on tails.
 Electrical: _____
 Current rating: 3 Amps max.
 Contact resistance: 20 mohms max.
 Insulation resistance: 1,000 Mohms min.
 Dielectric withstanding voltage: 600V AC/DC
 Temperature Rating: _____
 Operating temperature: -40°C to +105°C
 Environmental: _____
 Lead free, RoHS compliant
 Recommended soldering temp: 235°C for 5 seconds

PACKAGED ON TAPE & REEL
 A = .100 [2.54] x No. of Positions + .020 [0.50]
 B = .100 [2.54] x No. of Spaces
 C = .100 [2.54] x No. of Spaces - .100 [2.54]



UNLESS OTHERWISE SPECIFIED ALL DIMENSIONS ARE INCHES [MM]	
TOLERANCES: EXCEPT AS NOTED	
INCHES	HOLDS
.X ± .10	ØX ± .10
.XX ± .020	ØXX ± .015
.XXX ± .015	ØXXX ± .010
APPROVALS	DATE
DRAWN	DY
CHECKED	
APPROVED	

ADAM TECH
 909 Rahway Avenue, Union, NJ 07083
 Phone: 908-687-5000 Fax: 908-687-5710

TITLE: .100 x .100 DUAL ROW RECEPTACLE STRIP
 .146 [3.70] HEIGHT, SEL GOLD PLATED

9/23/10
 SIZE X
 PART NO. RS21-A-XX-SG-SMT-P-PP-TR
 REF: S00140T
 SCALE: NTS
 SHEET 1 OF 1