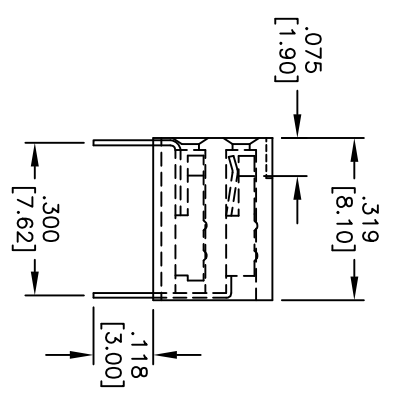
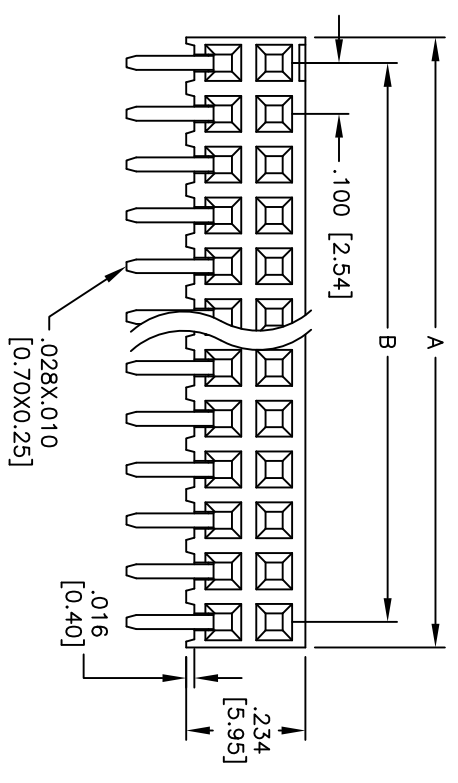
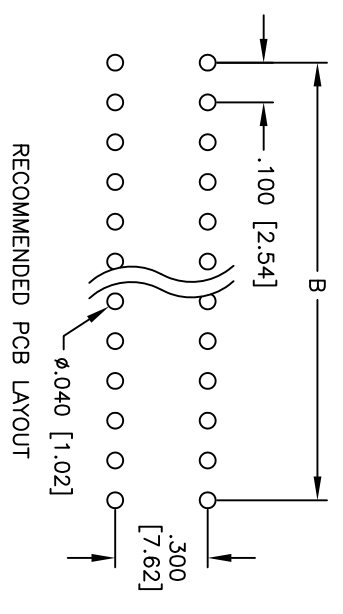
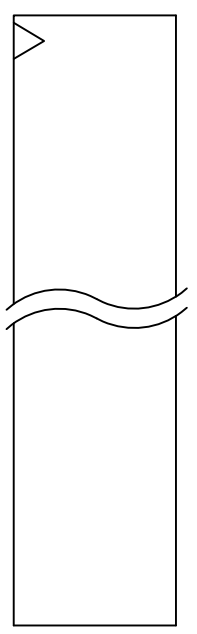


Rev	AWO #	Description	Date	Appr
-		RELEASED	10/26/10	

APPROVED: \_\_\_\_\_  
 DATE: \_\_\_\_\_ TITLE: \_\_\_\_\_



Positions: 2 thru 40 per row  
 A = .100 [2.54] x No. of Positions per Row  
 B = .100 [2.54] x No. of Spaces

**SPECIFICATIONS:**

Material: PBT, glass reinforced, rated UL 94V-0  
 Insulator color: Black  
 Contacts: Phosphor Bronze  
 Plating: Gold flash over Nickel underplate overall

Electrical:  
 Operating voltage: 250 VAC max.  
 Current rating: 3 Amps max.  
 Contact resistance: 20 mohms max.  
 Insulation resistance: 1,000 Mohms min.  
 Dielectric withstanding voltage: 600 VAC for 1 minute  
 Temperature Rating: -40°C to +105°C  
 Operating temperature: -40°C to +105°C



Environmental:  
 Lead free, RoHS compliant  
 Recommended soldering temp: 235°C for 5 seconds

UNLESS OTHERWISE SPECIFIED ALL DIMENSIONS ARE INCHES [MM]	
TOLERANCES: EXCEPT AS NOTED	
INCHES	HOLES
.X ± .10	Ø.X ± .10
.XX ± .020	Ø.XX ± .015
.XXX ± .015	Ø.XXX ± .010
APPROVALS	DATE
DRAWN AY	10/26/10
CHECKED VW	10/26/10
APPROVED	

**ADAM TECH**  
 909 Rahway Avenue, Union, NJ 07083  
 Phone: 908-687-5000 Fax: 908-687-5710

TITLE: .100 x .100 DUAL ROW RECEPTACLE STRIP  
 SIDE ENTRY, GOLD PLATED

SIZE	PART NO.	REV.
X	RS2BR-A-XX-G	-
REF: S00032T	SCALE: NTS	SHEET 1 OF 1