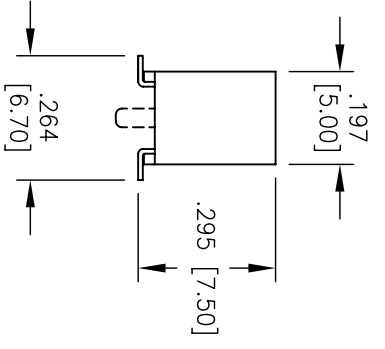
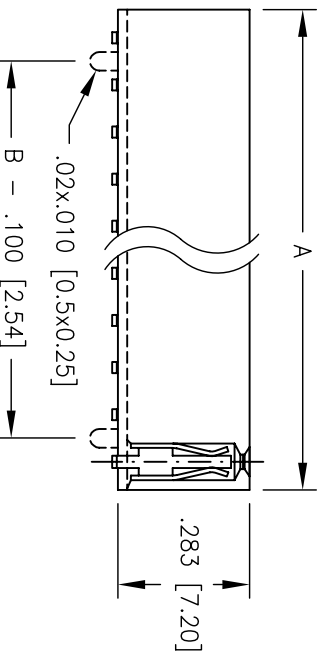
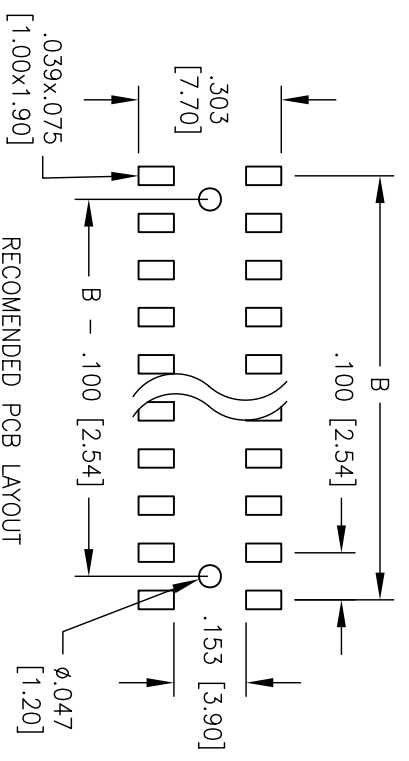
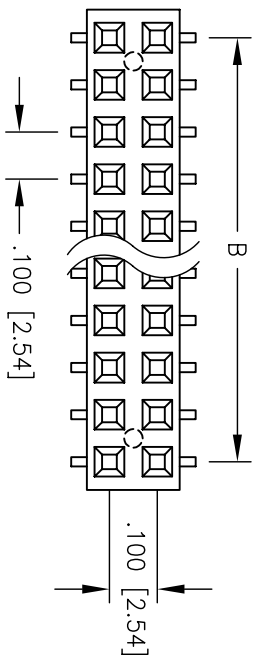


Rev	AWO #	Description	Date	Appr
-		RELEASED	10/13/04	

APPROVED: \_\_\_\_\_  
 DATE: \_\_\_\_\_ TITLE: \_\_\_\_\_



A = .100 [2.54] X No. of Positions  
 B = .100 [2.54] X No. of Spaces

**SPECIFICATIONS:**

**Material:**  
 Insulator: Nylon 6T, rated UL 94V-0  
 Insulator color: Black  
 Contacts: Phosphor Bronze  
**Plating:**  
 Gold Flash over Nickel underplate on mating area, Tin over Copper underplate on PCB tails

**Electrical:**  
 Operating voltage: 250 VAC max  
 Current rating: 3 Amps max  
 Contact resistance: 20 mohms max  
 Insulation resistance: 5000 Mohms min @ 500 VDC  
 Dielectric withstanding voltage: 1000 VAC for 1 minute  
**Temperature Rating:**  
 Operating temperature: -40°C to +105°C  
 Environmental:  
 Lead free, RoHS Compliant  
 Recommended soldering temp: 260°C for 5 seconds



**ADAM TECH**

909 Rahway Avenue, Union, NJ 07083  
 Phone: 908-687-5000 Fax: 908-687-5710

RESEPTACLE STRIP, DUAL ROW, SMT  
 GUIDE PEGS, SELECTIVE GOLD

UNLESS OTHERWISE SPECIFIED ALL DIMENSIONS ARE IN INCHES [MM]	
TOLERANCES: EXCEPT AS NOTED	
.X ±.10	ØXX ±.10
.XX ±.020	ØXXX ±.015
.XXX ±.015	ØXXXX ±.010
APPROVALS	DATE
DRAWN SS	10/13/04
CHECKED	
APPROVED	

TITLE		SIZE		PART NO.		REV.	
RESEPTACLE STRIP, DUAL ROW, SMT		X		RS2-XX-SG-SMT-P		-	
GUIDE PEGS, SELECTIVE GOLD		SCALE: MTS		SHEET 1 OF 1			