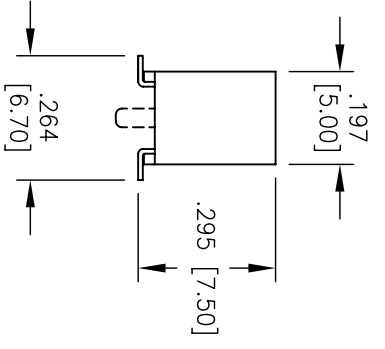
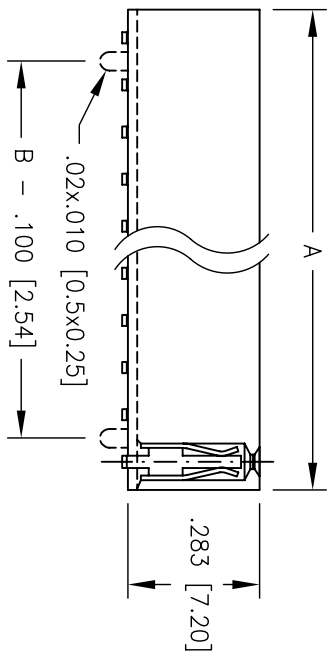
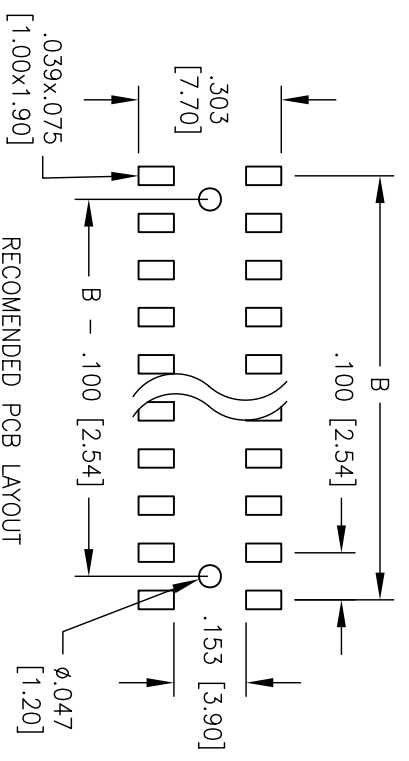
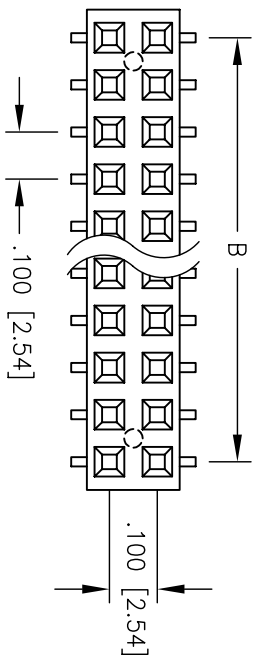


Rev	AWO #	Description	Date	Appr
-		RELEASED	10/13/04	

APPROVED: _____
 DATE: _____ TITLE: _____



A = .100 [2.54] X No. of Positions
 B = .100 [2.54] X No. of Spaces

SPECIFICATIONS:

Material:
 Insulator: Nylon 6T, rated UL 94V-0
 Insulator color: Black
 Contacts: Phosphor Bronze
 Plating:
 Gold Flash over Nickel underplate overall

Electrical:
 Operating voltage: 250 VAC max
 Current rating: 3 Amps max
 Contact resistance: 20 mohms max
 Insulation resistance: 5000 Mohms min @ 500 VDC
 Dielectric withstanding voltage: 1000 VAC for 1 minute
 Temperature Rating:
 Operating temperature: -40°C to +105°C
 Environmental:

Lead free, RoHS Compliant
 Recommended soldering temp: 260°C for 5 seconds



ADAM TECH

909 Rahway Avenue, Union, NJ 07083
 Phone: 908-687-5000 Fax: 908-687-5710

RESEPTACLE STRIP, DUAL ROW, SMT
 GUIDE PEGS, GOLD PLATED

UNLESS OTHERWISE SPECIFIED ALL DIMENSIONS ARE IN INCHES [MM]	
TOLERANCES: EXCEPT AS NOTED	
.X	±.10
.XX	±.020
.XXX	±.015
Ø.X	±.010
Ø.XX	±.015
Ø.XXX	±.010
APPROVALS	DATE
DRAWN	SS
CHECKED	
APPROVED	

TITLE		SIZE		PART NO.		REV.	
RESEPTACLE STRIP, DUAL ROW, SMT		X		RS2-XX-G-SMT-P		-	
GUIDE PEGS, GOLD PLATED		SCALE: MTS		SHEET 1 OF 1			