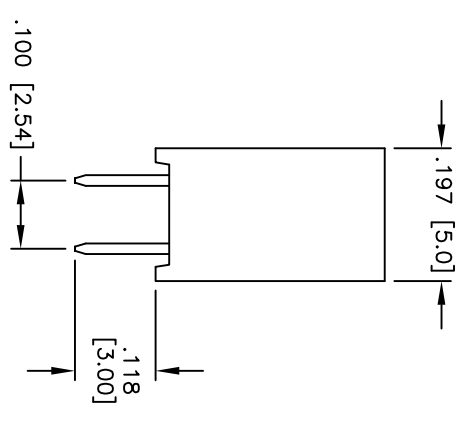
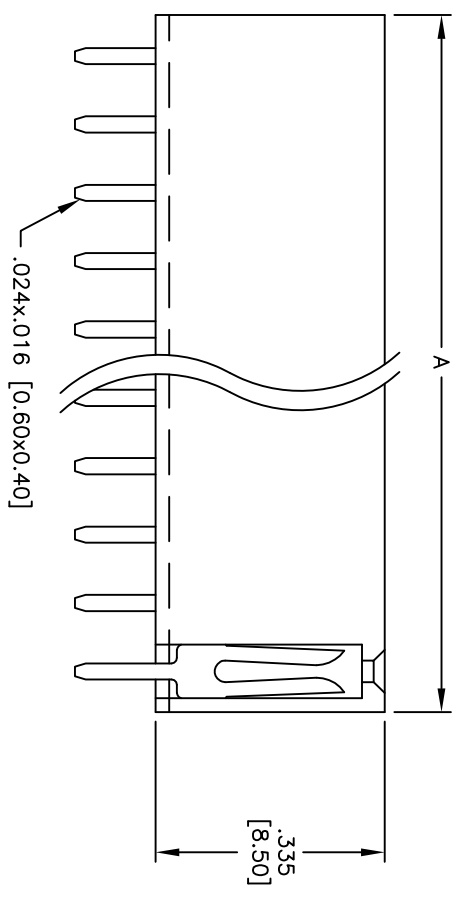
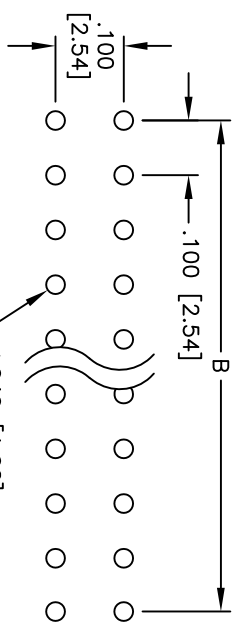
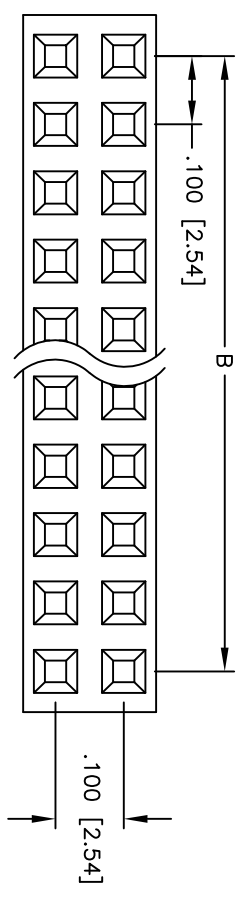


Rev	AWO #	Description	Date	Appr
-		RELEASED	10/20/10	

APPROVED: _____
 DATE: _____ TITLE: _____



SPECIFICATIONS:

- Material: Insulator: Hi-temp thermoplastic, rated UL 94V-0
- Insulator color: Black
- Contacts: Brass
- Plating: Gold flash over Nickel underplate overall
- Electrical: Operating voltage: 250 VAC max. Current rating: 3 Amps max. Contact resistance: 20 mohms max. initial Insulation resistance: 5,000 Mohms min. Dielectric withstanding voltage: 500 VAC for 1 minute
- Temperature Rating: Operating temperature: -40°C to +105°C
- Environmental: Lead free, RoHS compliant
- Recommended soldering temp: 260°C for 5 seconds

Positions: 02 thru 80
 A = .100 [2.54] x No. of Positions per Row + .020 [0.50]
 B = .100 [2.54] x No. of Spaces

ADAM TECH

909 Railway Avenue, Union, NJ 07083
 Phone: 908-687-5000 Fax: 908-687-5710

UNLESS OTHERWISE SPECIFIED ALL DIMENSIONS ARE INCHES [MM]		TOLERANCES: EXCEPT AS NOTED	
INCHES		HOLES	
.X ± .10	ØXX ± .10	± .10	
.XX ± .020	ØXXX ± .015	± .015	
.XXX ± .015	ØXXX ± .010	± .010	
APPROVALS		DATE	
DRAWN	AY	10/20/10	
CHECKED	AW	10/20/10	
APPROVED			
TITLE		SIZE	PART NO.
.100 x .100 DUAL ROW RECEPTACLE STRIP		X	RS2-XX-G-HT
.335 [8.50] HEIGHT, GOLD PLATED, HI-TEMP		REF:	SCALE: NTS
REV.		SHEET	1 OF 1

