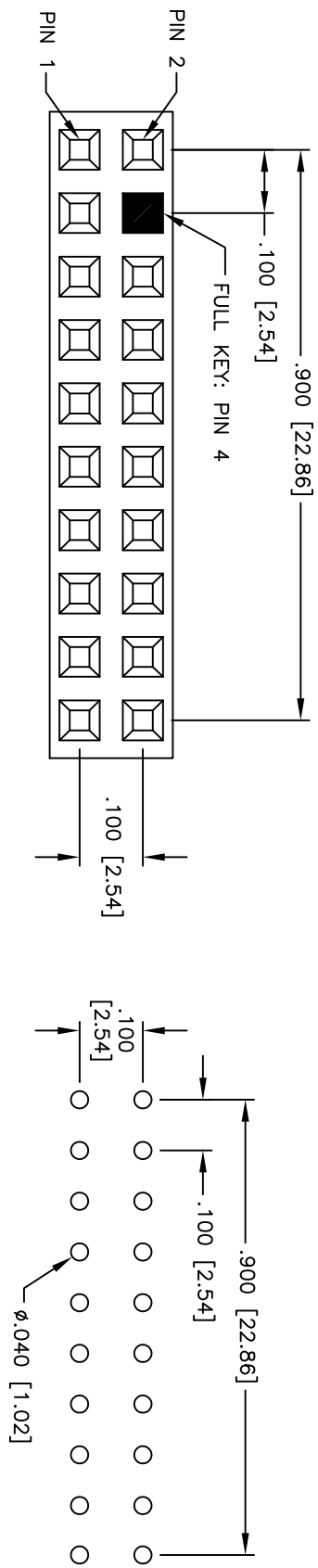
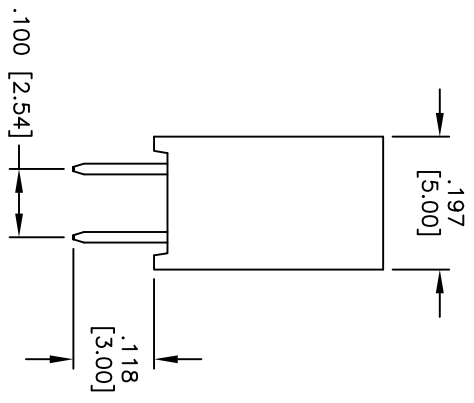
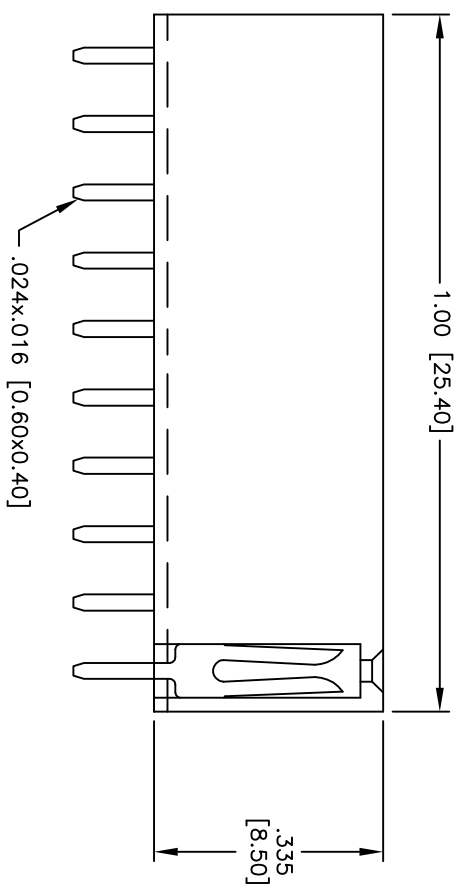


Rev	AWO #	Description	Date	Appr
-		RELEASED	10/29/09	

APPROVED: _____
 DATE: _____ TITLE: _____



RECOMMENDED PCB LAYOUT



SPECIFICATIONS:

Material: Insulator: PBT, glass reinforced, rated UL 94V-0
 Insulator color: Black
 Contacts: Brass
 Plating: Gold flash over Nickel underplate on contact area, Tin over Copper underplate on tails.

Electrical: Operating voltage: 250 VAC max.
 Current rating: 3 Amps max.
 Contact resistance: 20 mohms max. initial
 Insulation resistance: 5,000 Mohms min.
 Dielectric withstanding voltage: 1,000 VAC for 1 minute
 Temperature Rating: Operating temperature: -40°C to +105°C
 Environmental: Lead free, RoHS compliant
 Recommended soldering temp: 235°C for 5 seconds

ADAM TECH

909 Rahway Avenue, Union, NJ 07083
 Phone: 908-687-5000 Fax: 908-687-5710

TITLE: .100" x .100" DUAL ROW RECEPTACLE STRIP
 20 POSITIONS, FULL KEY PIN 4

UNLESS OTHERWISE SPECIFIED ALL DIMENSIONS ARE INCHES [MM]		TOLERANCES: EXCEPT AS NOTED INCHES		HOLE SIZES	
.X	± .10	Ø.X	± .10		
.XX	± .020	Ø.XX	± .015		
.XXX	± .015	Ø.XXX	± .010		
APPROVALS		DATE			
DRAWN	DY	10/29/09			
CHECKED					
APPROVED					
SIZE	PART NO.	REF: S00069T		SCALE:	NTS
X	RS2-20-SG-K04			SHEET	1 OF 1
REV.					